

GENERAL SPECIFICATIONS:

- Maximum Flow: 1300 GPM (No minimum flow requirement)
- Maximum Pressure: 150 PSI (Higher pressure models available)
- Not Designed for Suction/Vacuum.
- Maximum Temperature: 135° F (Higher temperature models available)
- Screen Surface Area 1559 Sq. In.

MATERIALS:

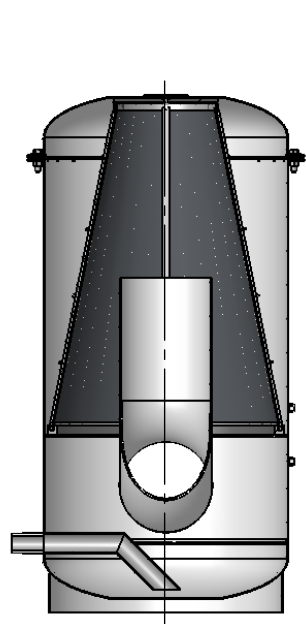
- Housing: 316 Stainless.
- Gasket: EPDM standard (other compounds available)
- Screen Mesh: 316 Stainless (1/4" perforated sheet backup)
- Perforated Sheet Screen Backup: 316 Stainless.

SCREEN OPTIONS:

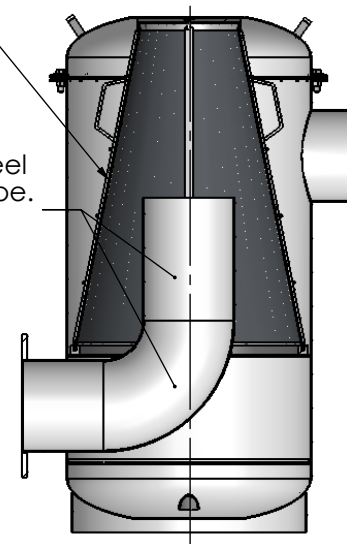
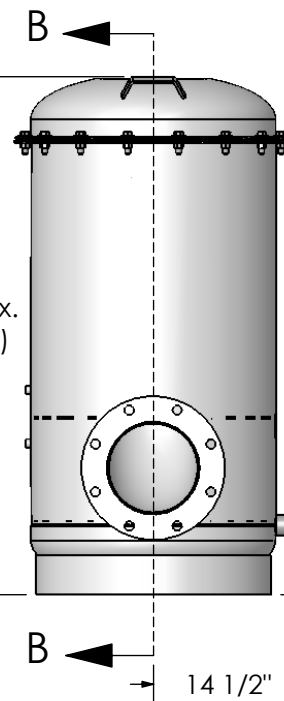
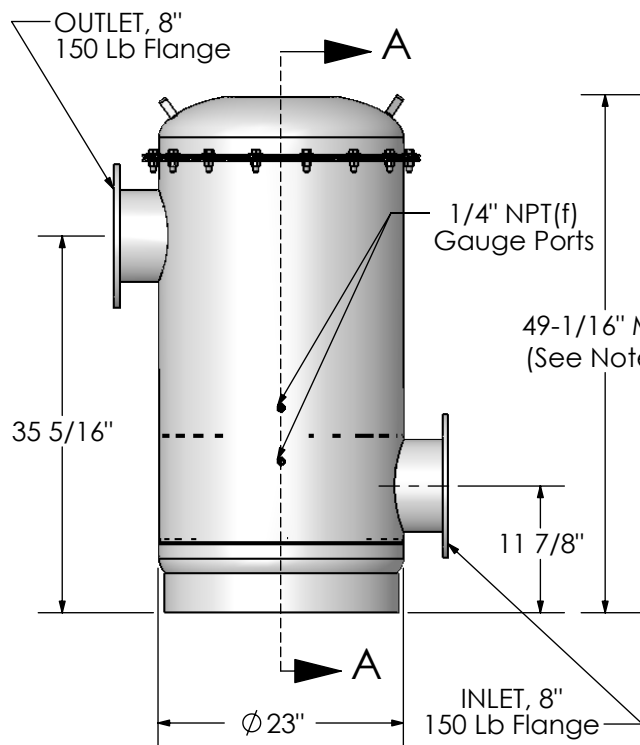
- Multiple screen mesh and perforated sheet sizes available. (See product catalog for samples)

NOTES:

- 1- Flush Port is available in larger sizes. Bottom Flush Port is also available.
- 2- Dimensions are for informational purposes only and are subject to change.
- 3- 81" overall height is required for filter element removal.



SECTION A-A



SECTION B-B

<i>PRODUCT SPECIFICATION</i>	
MILLER-LEAMAN INC.	
800 Orange Ave. Daytona Beach FL 32114	

DRAWN	J. Larsen	10/19/06
CHECKED		
ENG APPR.		
MKT APPR.		
SHEET 1 OF 1		

TITLE	TYPE 316 Thompson Strainer MLS-8-T316
-------	--