

GENERAL SPECIFICATIONS:

- Maximum Flow: 200 GPM (No minimum flow requirement)
- Maximum Pressure: 125 PSI
- Maximum Temperature: 135° F
- Screen Surface Area 200 Sq. In.

MATERIALS:

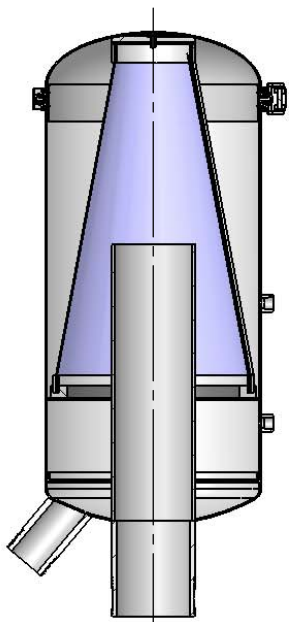
- Housing: 304 Stainless standard (316 Stainless optional)
- Gasket: EPDM standard (other compounds available)
- Screen Mesh: 316 Stainless (1/4" perforated sheet backup)

SCREEN OPTIONS:

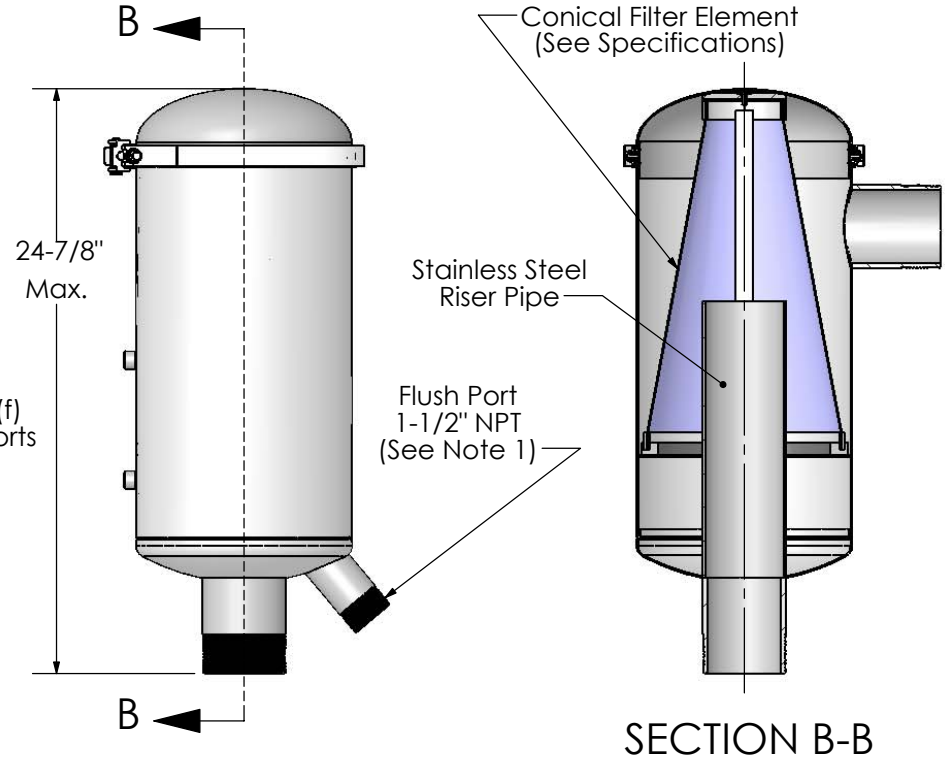
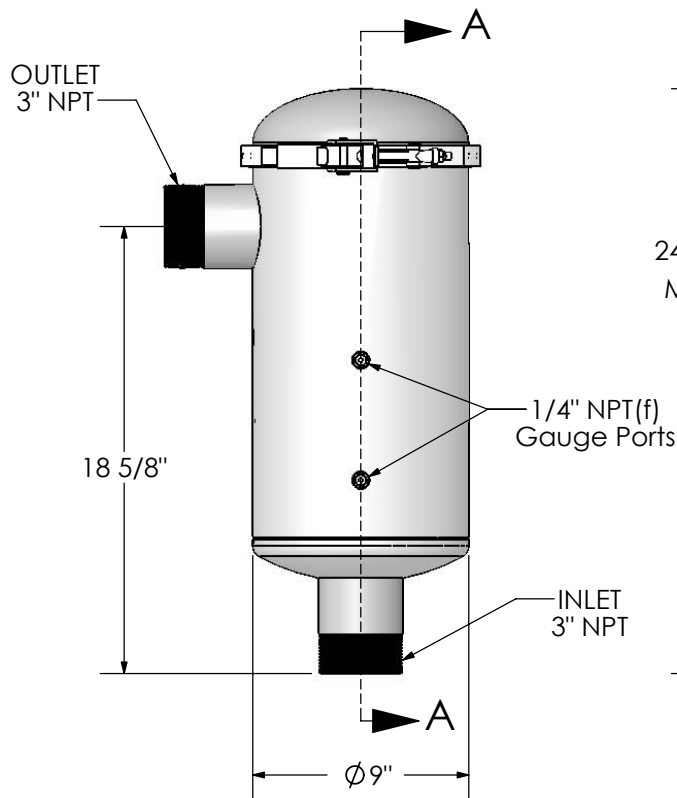
- Multiple screen mesh and perforated sheet sizes available. (See product catalog for samples)

NOTES:

- 1- Flush Port is available in larger sizes.
- 2- Dimensions are for informational purposes only and are subject to change.



SECTION A-A



SECTION B-B

<i>PRODUCT SPECIFICATION</i>	DRAWN	J. Larsen	12/2/04	TITLE Thompson Filter MLI-3
	CHECKED			
MILLER-LEAMAN INC. 800 Orange Ave. Daytona Beach FL 32114	ENG APPR.			
	MKT APPR.			
	SHEET 1 OF 1			