

GENERAL SPECIFICATIONS:

- Maximum Flow: 350 GPM (No minimum flow requirement)
- Maximum Pressure: 150 PSI (Higher pressure models are available. (Not designed for suction/vacuum))
- Maximum Temperature: 135° F (Higher temperature models are available)
- Screen Surface Area 367 Sq. In.

MATERIALS:

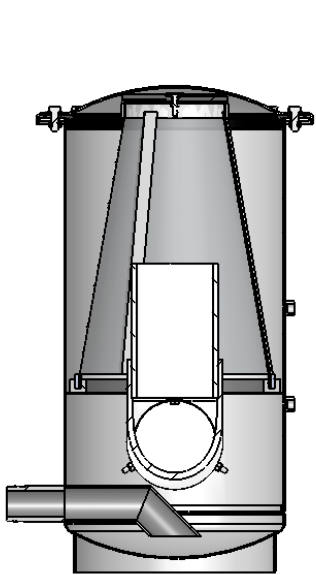
- Housing: 304 Stainless standard (316 Stainless optional)
- Gasket: EPDM standard (other compounds available)
- Screen Mesh: 316 Stainless (1/4" perforated sheet backup)

SCREEN OPTIONS:

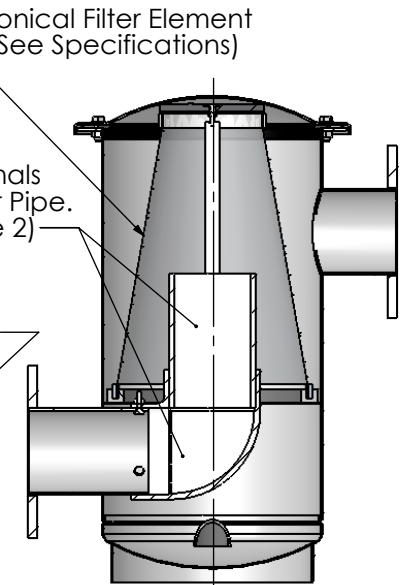
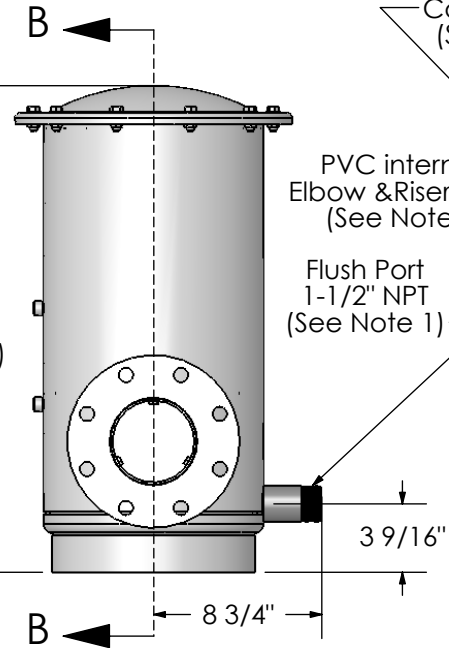
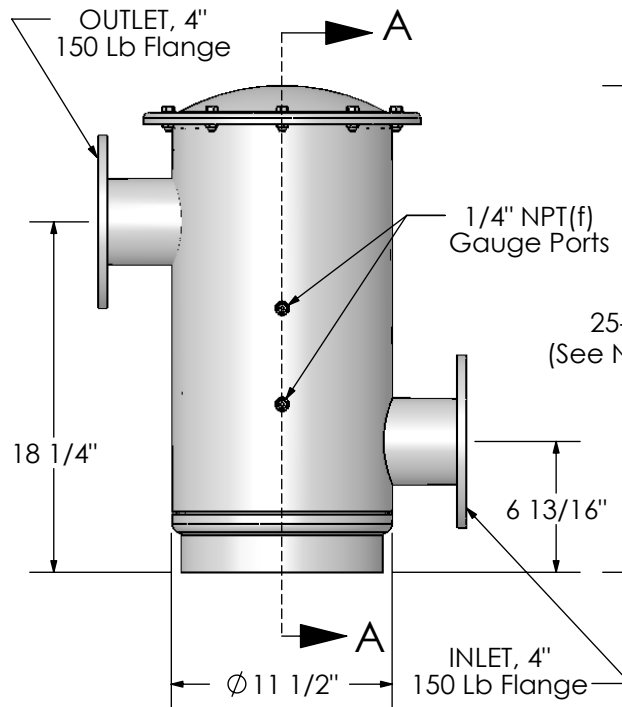
- Multiple screen mesh and perforated sheet sizes available. (See product catalog for samples)

NOTES:

- 1- Flush Port is available in other sizes and locations.
- 2- Stainless Steel internals (Elbows and Riser Pipe) are also available.
- 3- Dimensions are for informational purposes only and are subject to change.
- 4- 42" overall height is required for filter element removal.



SECTION A-A



SECTION B-B

<p><i>PRODUCT SPECIFICATION</i></p> <p>MILLER-LEAMAN INC. 800 Orange Ave. Daytona Beach FL 32114</p>	DRAWN	J. Larsen	11/3/04	<p>TITLE</p> <p>Thompson Filter MLI-4B</p>
	CHECKED			
	ENG APPR.			
	MKT APPR.			
	SHEET 1 OF 1			