

GENERAL SPECIFICATIONS:

- Maximum Flow: 350 GPM (No minimum flow requirement)
- Maximum Pressure: 125 PSI (Higher pressure models are available).
- Maximum Temperature: 135° F (Higher temperature models are available).
- Screen Surface Area 367 Sq. In.

MATERIALS:

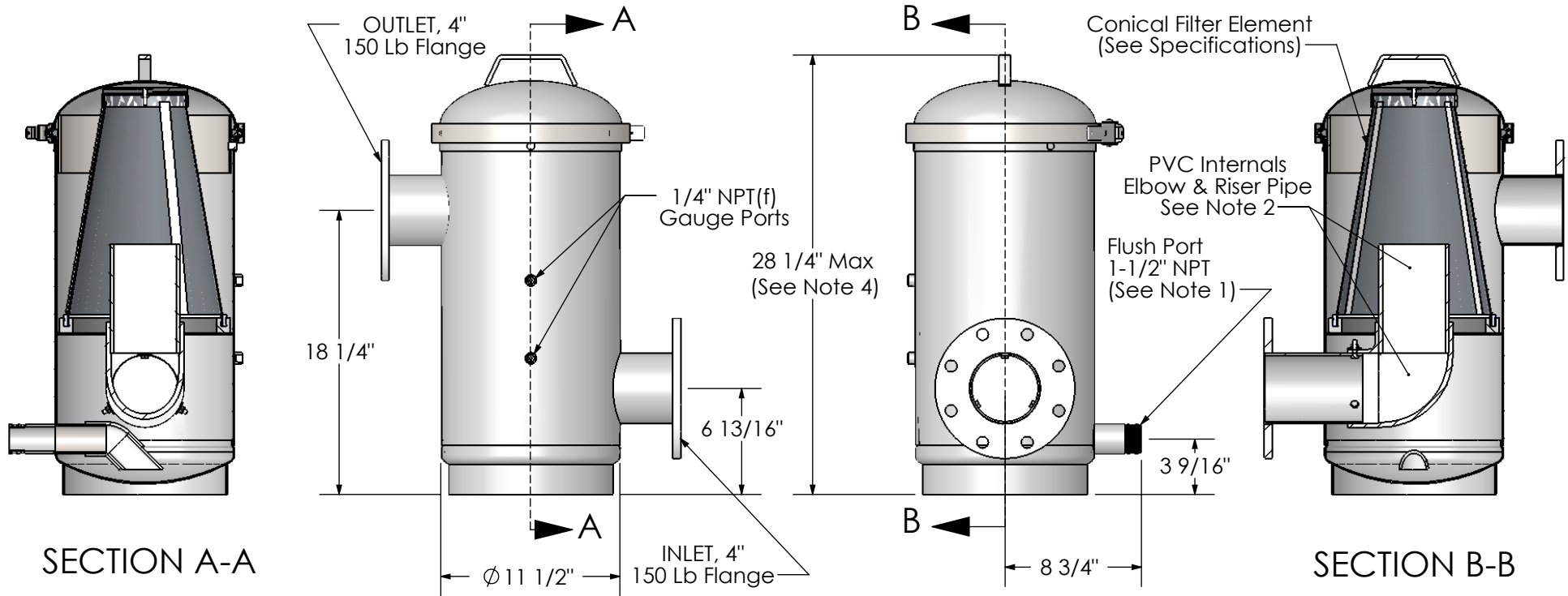
- Housing: 304 Stainless standard (316 Stainless optional)
- Gasket: EPDM standard (other compounds available)
- Screen Mesh: 316 Stainless (1/4" perforated sheet backup)
- Clamp: 301,302, or 304 Stainless

SCREEN OPTIONS:

- Multiple screen mesh and perforated sheet sizes available. (See product catalog for samples)

NOTES:

- 1- Flush Port is available in larger sizes. Bottom Flush Port is also available.
- 2- Stainless Steel Internals (Elbow and Riser Pipe) are also available.
- 3- Dimensions are for informational purposes only and are subject to change
- 4- 42" overall height is required for filter element removal.



SECTION A-A

SECTION B-B

PRODUCT SPECIFICATION MILLER-LEAMAN INC. 800 Orange Ave. Daytona Beach FL 32114	DRAWN	J. Larsen	11/5/04	TITLE Thompson Strainer MLI-4C
	CHECKED			
	ENG APPR.			
	MKT APPR.			
SHEET 1 OF 1				