

1/2-13 Grade 5 Bolts/Nuts
& USS High Strength Washers
Zinc Plated Steel

GENERAL SPECIFICATIONS:

- Maximum Flow: 750 GPM (No minimum flow requirement)
- Maximum Pressure: 150 PSI
- Maximum Temperature: 135° F
- Screen Surface Area 745 Sq. In.

MATERIALS:

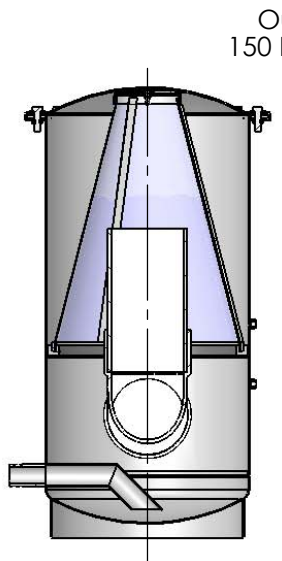
- Housing: 304 Stainless standard (316 Stainless optional)
- Gasket: EPDM standard (other compounds available)
- Screen Mesh: 316 Stainless (1/4" perforated sheet backup)

SCREEN OPTIONS:

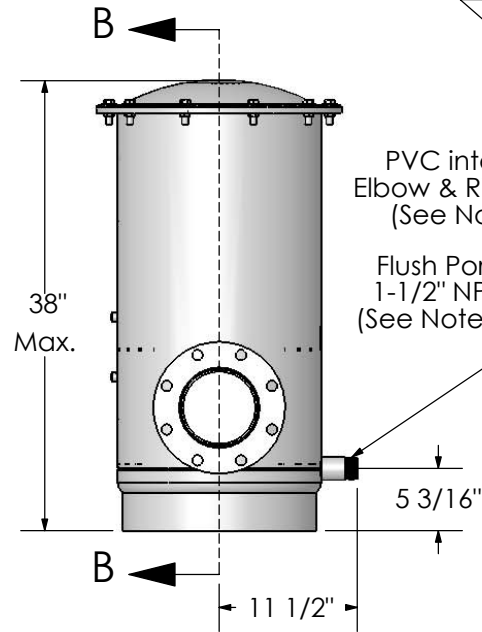
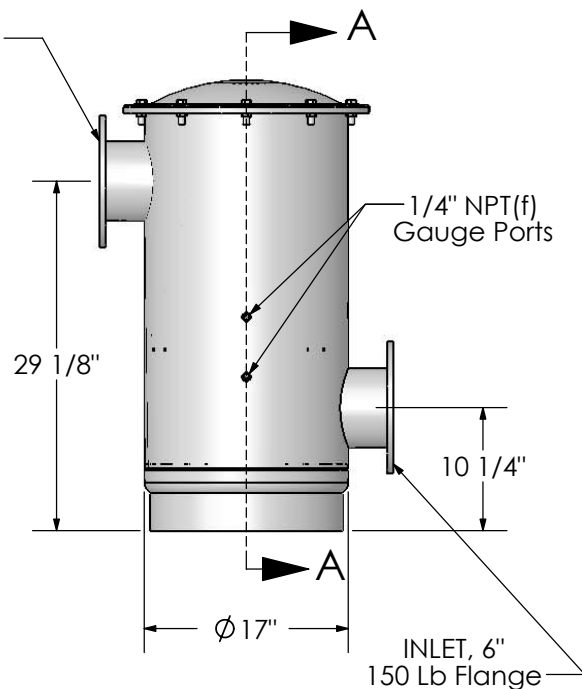
- Multiple screen mesh and perforated sheet sizes available.
(See product catalog for samples)

NOTES:

- 1- Flush Port is available in larger sizes. Bottom Flush Port is also available.
- 2- Stainless Steel internals (Elbow and Riser Pipe) are also available.
- 3- Dimensions are for informational purposes only and are subject to change.



SECTION A-A



SECTION B-B

Conical Filter Element
(See Specifications)

| | | | | |
|---|--------------|-----------|----------|---|
| <p>PRODUCT SPECIFICATION</p> <p>MILLER-LEAMAN INC. 800 Orange Ave. Daytona Beach FL 32114</p> | DRAWN | J. Larsen | 11/15/04 | <p>TITLE</p> <p>Thompson Filter MLI-6</p> |
| | CHECKED | | | |
| | ENG APPR. | | | |
| | MKT APPR. | | | |
| | SHEET 1 OF 1 | | | |