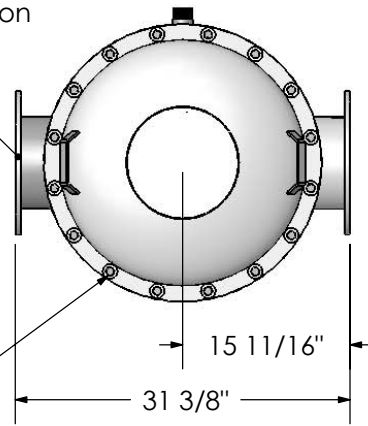


Serial Number Location



1/2-13 Grade 5 Bolts/Nuts
& USS High Strength Washers
Zinc Plated Steel

GENERAL SPECIFICATIONS:

- Maximum Flow: 1300 GPM (No minimum flow requirement)
- Maximum Pressure: 150 PSI
- Maximum Temperature: 135° F
- Screen Surface Area 1559 Sq. In.

MATERIALS:

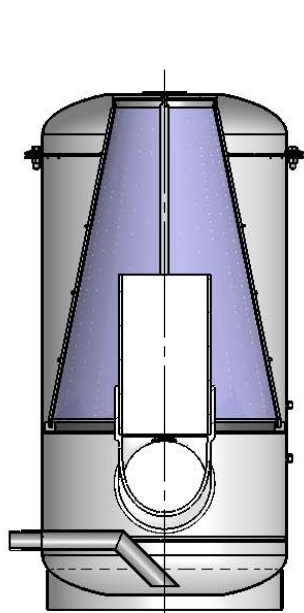
- Housing: 304 Stainless standard (316 Stainless optional)
- Gasket: EPDM standard (other compounds available)
- Screen Mesh: 316 Stainless (1/4" perforated sheet backup)

SCREEN OPTIONS:

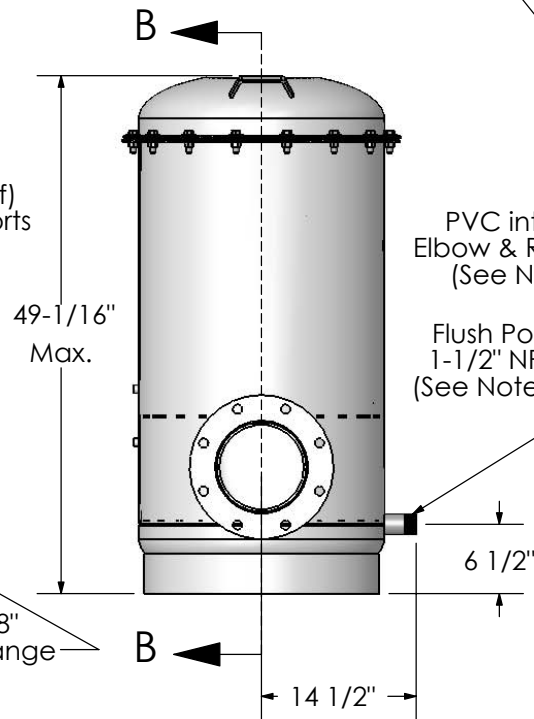
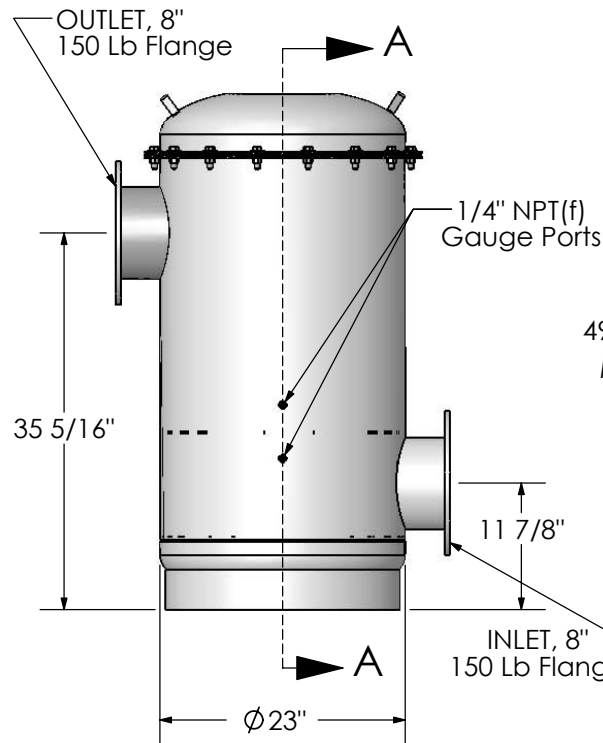
- Multiple screen mesh and perforated sheet sizes available. (See product catalog for samples)

NOTES:

- 1- Flush Port is available in larger sizes. Bottom Flush Port is also available.
- 2- Stainless Steel internals (Elbow and Riser Pipe) are also available.
- 3- Dimensions are for informational purposes only and are subject to change.



SECTION A-A



SECTION B-B

PRODUCT SPECIFICATION	DRAWN	J. Larsen	11/10/04	TITLE
	CHECKED			
	ENG APPR.			
	MKT APPR.			
	SHEET 1 OF 1			
MILLER-LEAMAN INC.				
800 Orange Ave. Daytona Beach FL 32114				

**Thompson Filter
MLI-8**