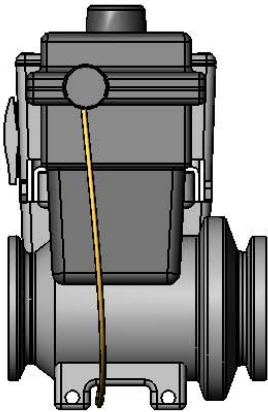
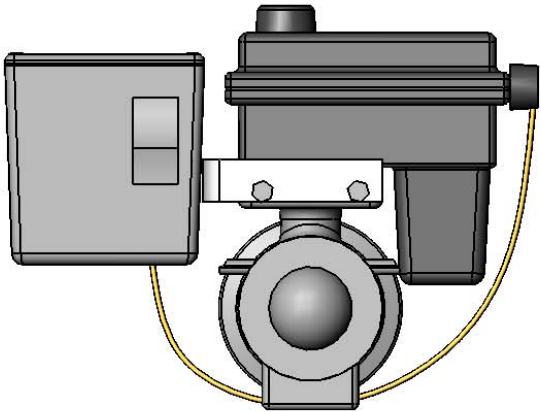
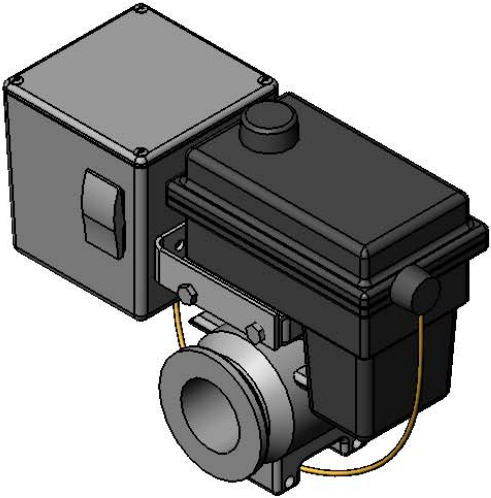
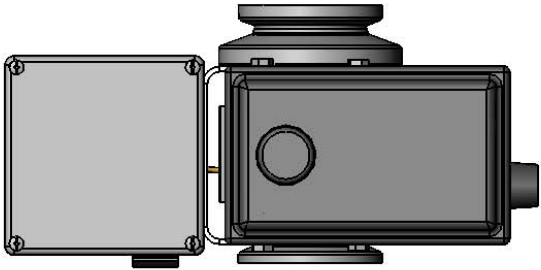


REVISIONS			
REV.	DESCRIPTION	DATE	APPROVED



PRODUCT SPECIFICATION MILLER-LEAMAN INC. 800 Orange Ave. Daytona Beach FL 32114	DRAWN	J. Larsen	10/10/05	TITLE Automatic Timer Flush Package ATF-EA-1.5
	CHECKED			
	ENG APPR.			
	MKT APPR.			
	SHEET 1 OF 1			