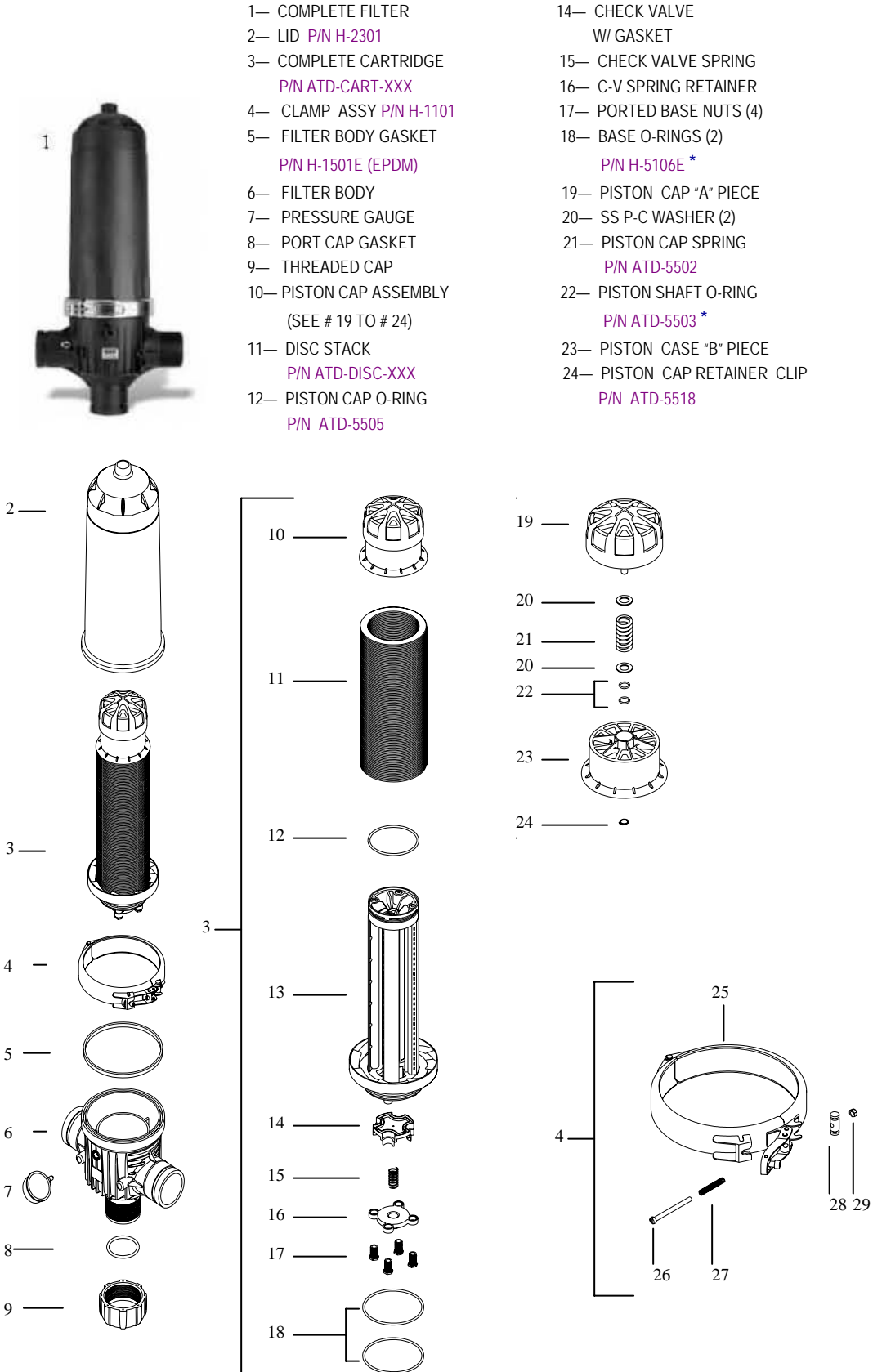


## 5.1 Exploded View of the Filter housing and filter





## 5.2 Parts list of the Filter housing and filter

ITEM	PART NUMBER	DESCRIPTION of PART	QTY
1	ATD-2SV-XXX	2" Automatic Turbo-Disc Filter, specify micron, 2" VIC -90 degree connection	1
	ATD-2SW-XXX	2" Automatic Turbo-Disc Filter, specify micron, 2" VIC -Inline connection	
	ATD-3NV-XXX	3" Automatic Turbo-Disc Filter, specify micron, 3" VIC -90 degree connection	
	ATD-3NW-XXX	3" Automatic Turbo-Disc Filter, specify micron, 3" VIC -Inline connection	
2	H-2301	Lid	1
3	ATD-CART-XXX	Filtration Cartridge, specify the micron size	1
4	H-1100	Clamp	1
5	H1501E	Filter Body Gasket	1
6	H-1202	Filter Body Gasket -2" VIC connections, 90 deg	1
	H-1203	Filter Body Gasket -2" VIC connections, Inline	
	H-1302	Filter Body Gasket -3" VIC connections, 90 deg	
	H-1303	Filter Body Gasket -3" VIC connections, Inline	
7	PG-1/4-150	Pressure Gauge (Gauge is not included and the Port is normally plugged)	
8	See #9	Threaded Cap O-Ring	1
9	H-3102	Threaded Cap, 2"	1
	H-3203	Threaded Cap, 3"	
10	ATD-5525	Piston Cap Assembly	1
11	ATD-DISC-XXX	Filtration Disc Stack, specify the micron size	1
12	ATD-5505	Piston Cap O-Ring (HDPE, Split O-Ring)	1
13	ATD-5530	Cartridge Frame with Helix Element	1
14	ATD-5513	Check Valve	1
15	ATD-5515	Check Valve Spring	1
16	ATD-5516	Check Valve Spring Retainer	1
17	ATD-5519	Spray Bar Nut, ported	4
18	H-5106E	Cartridge Base O-Ring (103 mm X 4 mm)	2
19	ATD-5501	Cartridge Cap	1
20	ATD-5517	Cartridge Cap Washer	2
21	ATD-5502	Cartridge Cap Spring	1
22	ATD-5503	Internal Cartridge Cap O-Ring (13 mm X 2 mm)	2
23	ATD-5504	Cartridge Cap Piston Case	1
24	ATD-5518	Cartridge Cap Retainer Clip	1