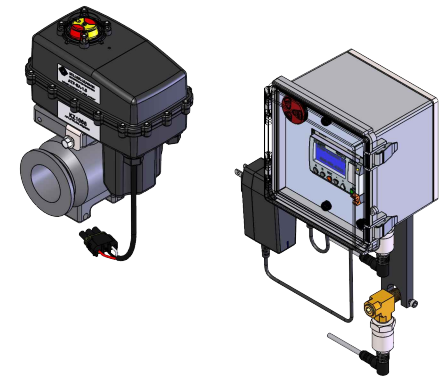
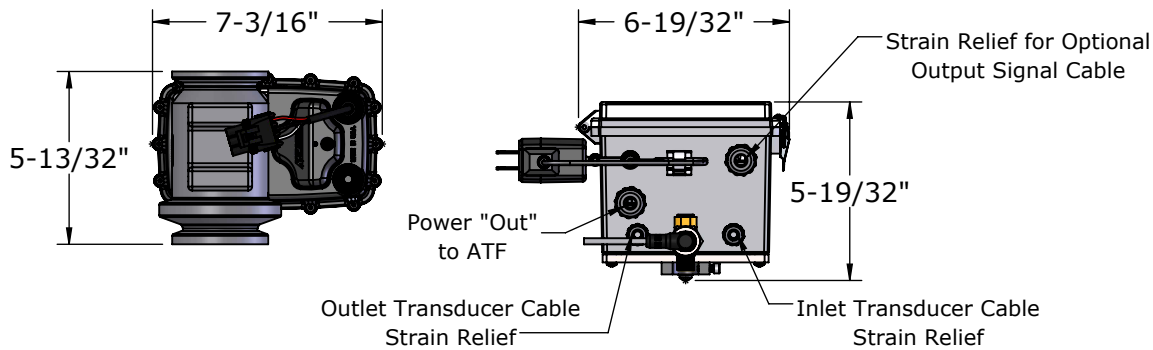
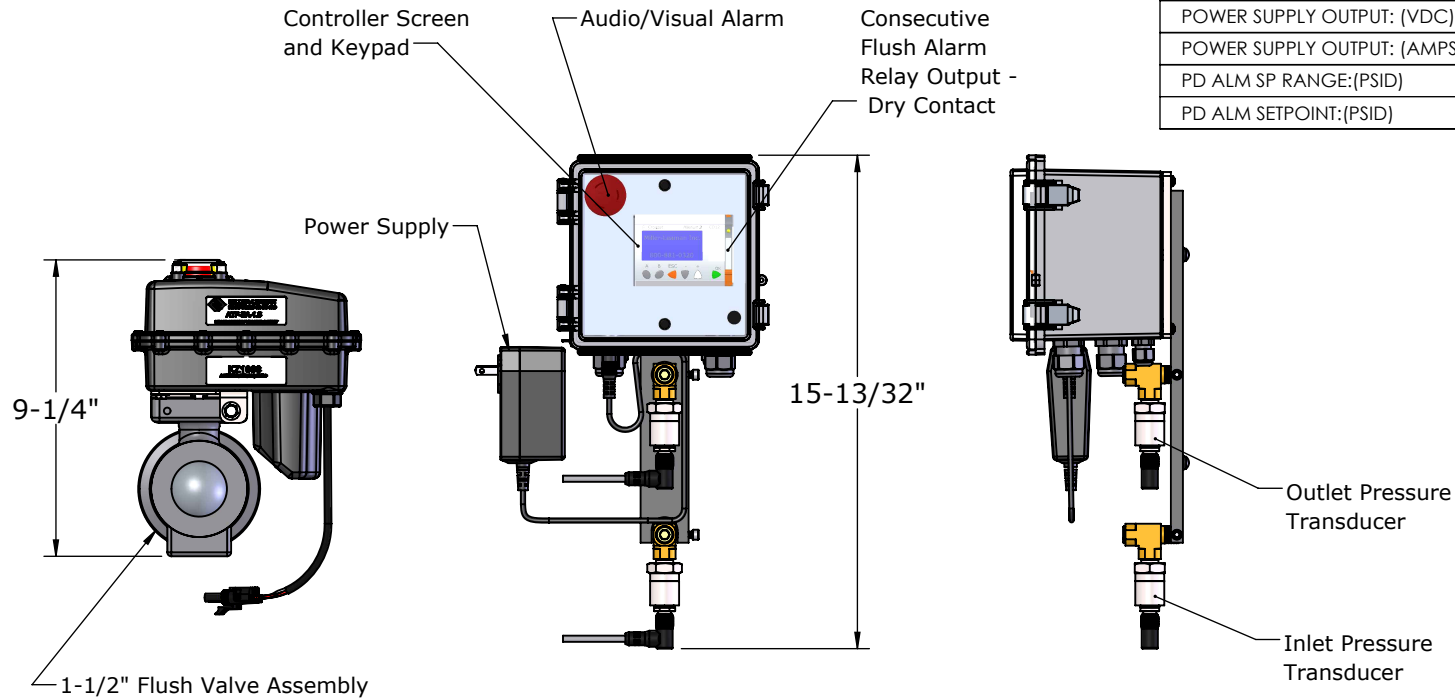


GENERAL SPECIFICATIONS		GENERAL SPECIFICATIONS	
MAX TEMP (°F)	135	CONSEC. FL ALM RANGE: (FL#)	2 - 10
MAX STATIC PRESSURE:(PSI@70°F)	200	CONSEC. FL ALM SP: (FL#)	3
MAX PD: (PSID)	200	ALARM OUT VISUAL: (# RED LT)	1
FLOW DET. RANGE:(INLET TX PSI)	5 - 20	ALARM OUT AUDIO: (#@db)	1@87
FLOW DET. SETPOINT:(PSI)	15	ALARM OUT DRY CONTACT: (#)	1
POWER SUPPLY INPUT: (VAC)	120	ALM OUT MAX SWITCH: (V@A)	24@0.5
POWER SUPPLY INPUT: (AMPS)	1.5	<b>NOTES</b> Consec. Flush Alarm Reset: Status Screen - Red ESC Pushbutton PD Alarm - Flashing Lt & Sounder Consec. Flush Alarm - Steady ON	
POWER SUPPLY OUTPUT: (VDC)	24		
POWER SUPPLY OUTPUT: (AMPS)	2.5		
PD ALM SP RANGE:(PSID)	1 -31		
PD ALM SETPOINT:(PSID)	7		



**PRODUCT SPECIFICATION**



Dimensions are for reference only.

CUST. REF.	
ENG. REF.	ML23013
DWG. DATE	10/31/2022
	SHEET 1 of 1

TITLE: PDA/ATF-MAX  
Pressure Differential Alarm/  
Auto Timed Flush Controller