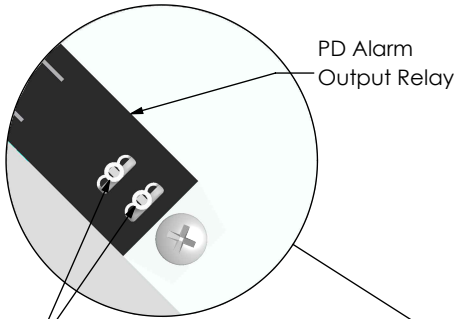
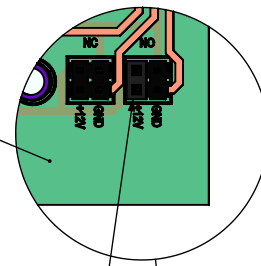


DETAIL A

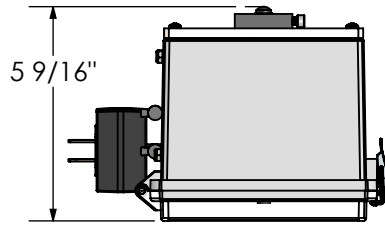


Optional Customer's Dry Contact connections. Max switching - 24VDC at 0.5 amps. Parts removed from view for clarity.

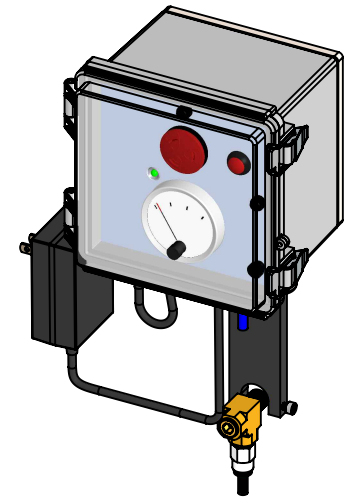
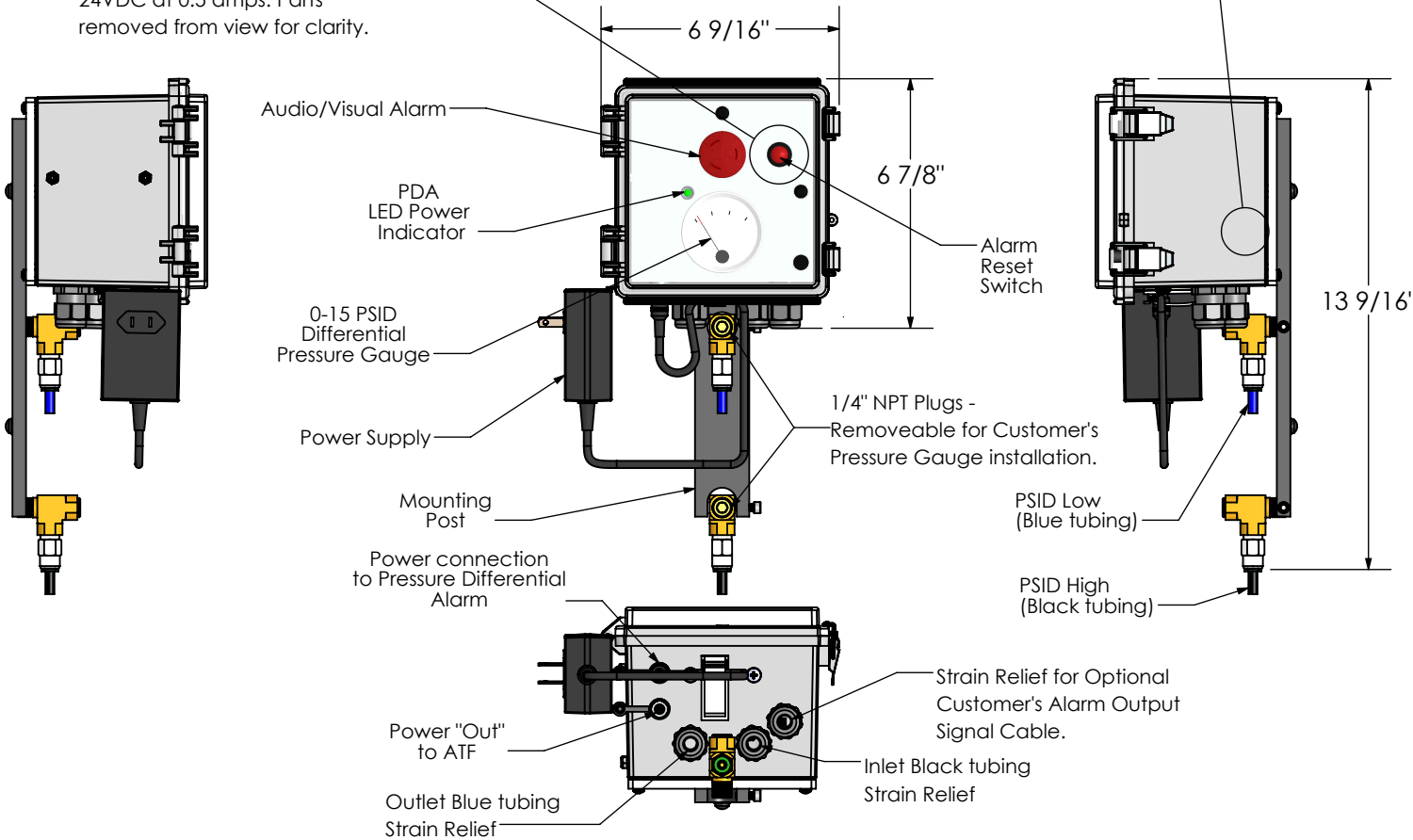
DETAIL B



PC Board
Alarm Contact Jumper Shown set for +12V, N.O. (Output signal to relay with alarm)



5 9/16"



GENERAL SPECIFICATIONS

MAX STATIC PRESSUE:(PSI@73°F)	120
MAX PD: (PSID)	30
POWER SUPPLY INPUT: (VAC)	120
POWER SUPPLY INPUT: (AMPS)	.7
POWER SUPPLY OUTPUT: (VDC)	12
POWER SUPPLY OUTPUT: (AMPS)	2.27
ALARM OUT VISUAL: (# RED LT)	1
ALARM OUT AUDIO: (#@db)	1@87
ALARM OUT DRY CONTACT: (#)	1
ALM OUT MAX SWITCH: (V@A)	24@0.5

NOTES

Alarm Reset: Inside Cover Mounted Red Pushbutton
 PD Alarm - Flashing Lt & Sounder



PRODUCT SPECIFICATION



800 Orange Avenue, Daytona Beach, FL 32114

Dimensions are for reference only.

CUST. REF.	
ENG. REF.	ML20561U
DWG. DATE	10/31/22
	SHEET 1 of 1

TITLE:

PDA2
 Pressure Differential
 Alarm Package