

Notes -
TurboDisc - Dual Pumps
Control Relay for Booster Pump
Pump Motor 460VAC 60Hz 3-Phase

Follow all NEC standards when installing field wiring

External Wiring - 120VAC @ 15 Amps

M

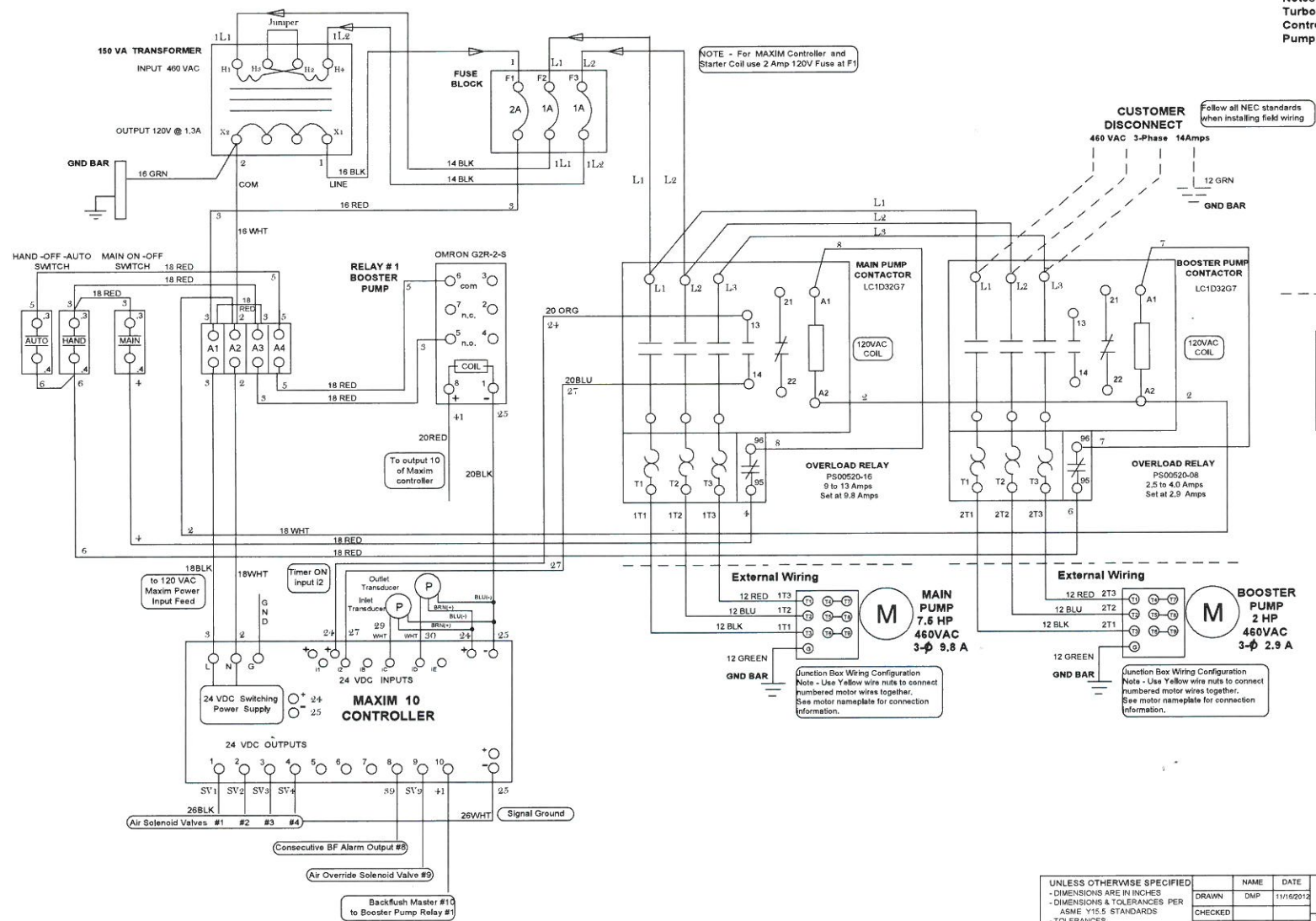
Ingersoll-Rand Air Compressor
 2-HP, 120 PSI - 120VAC @ 15A

M

MAIN PUMP
 7.5 HP
 460VAC
 3- ϕ 9.8 A

M

BOOSTER PUMP
 2 HP
 460VAC
 3- ϕ 2.9 A



PROPRIETARY AND CONFIDENTIAL
 THE INFORMATION CONTAINED IN THIS DRAWING IS THE SOLE PROPERTY OF MILLER-LEAMAN INC.
 ANY REPRODUCTION IN PART OR AS A WHOLE WITHOUT THE WRITTEN PERMISSION OF MILLER-LEAMAN INC. IS PROHIBITED.

UNLESS OTHERWISE SPECIFIED		
- DIMENSIONS ARE IN INCHES	NAME	DATE
- DIMENSIONS & TOLERANCES PER ASME Y14.5 STANDARDS	DMP	11/16/2012
- TOLERANCES:	CHECKED	
FRACTIONAL +/- 1/32	ENG APPR	
ANGULAR +/- 1/4 deg	MFG APPR	
TWO PLACE DECIMAL +/- .02	Q.A.	
THREE PLACE DECIMAL +/- .005	COMMENTS:	
MATERIAL		
FINISH:		
DO NOT SCALE DRAWING		

MILLER LEAMAN
 800 Orange Avenue, Daytona Beach, FL 32114

TITLE: **Electrical Schematic Automatic TurboDisc Filter Skid System**

SIZE: B DWG. NO.: **ML21061-4D-MOD4**

SCALE: 1:1 WEIGHT: SHEET 2 OF 3