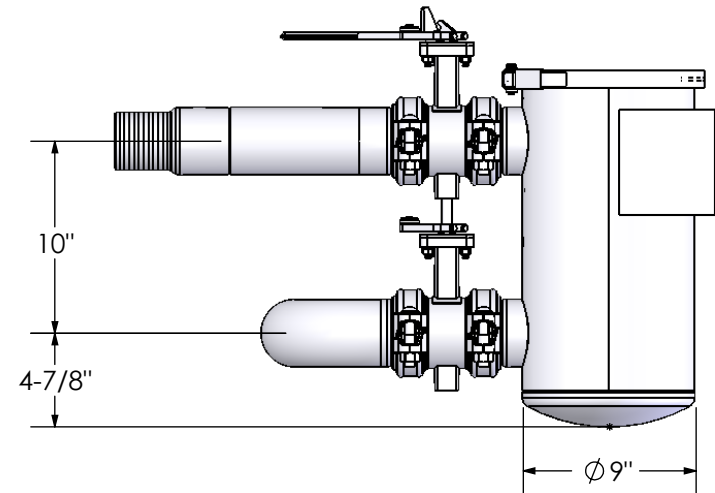
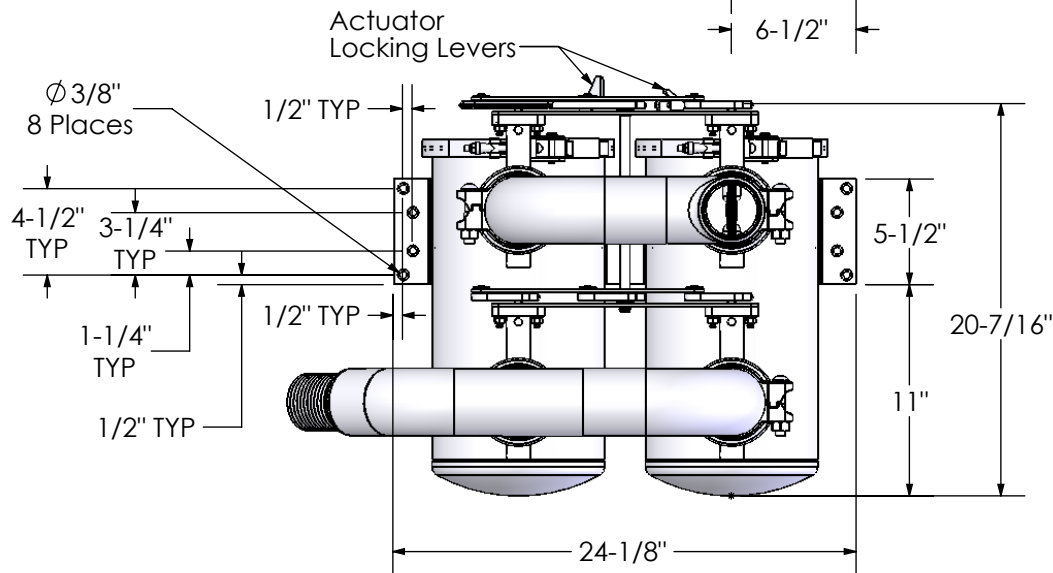
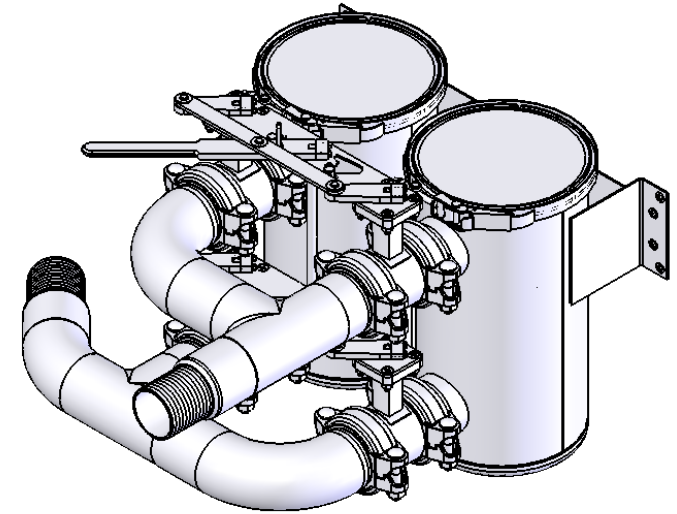


GENERAL SPECIFICATIONS

- Maximum Flow: 125 GPM
- Design Pressure: 50 PSI
- Pressure Loss: Approx. 1 PSI (Clean)
- Basket Surface Area: 240 Sq. In.
- Basket Open Area: 84 Sq. In.
- Basket Open Area to Inlet Area Ratio = 12:1
- Basket Perforation Size: 5/64"
- Materials: 316L Stainless Steel
- Dry Weight: Approx: 175 Lbs.



Approval: _____

Approval: _____

PRODUCT SPECIFICATION

MILLER-LEAMAN INC.

800 Orange Ave. Daytona Beach FL 32114

| | | |
|--------------|--------------|---------|
| DRAWN | J. Larsen | 12/9/11 |
| CHECKED | | |
| ENG APPR. | | |
| MKT APPR. | | |
| SHEET 1 OF 1 | Ref: ML21552 | Rev. A |

TITLE

**3" Duplex Basket Strainer
(316 Stainless)**