

GENERAL SPECIFICATIONS

- Maximum Flow: 425 GPM
- Design Pressure: 50 PSI
- Pressure Loss: Approximately 1 PSI (Clean)
- Basket Surface Area: 436 Sq. In.
- Basket Open Area: 200 Sq In.
- Basket Open Area to Inlet Area Ratio = 7:1
- Basket Perforation Size: 5/64"
- Materials: 316L Stainless Steel
- Dry Weight: Approx: 400 Lb.

Approval: _____

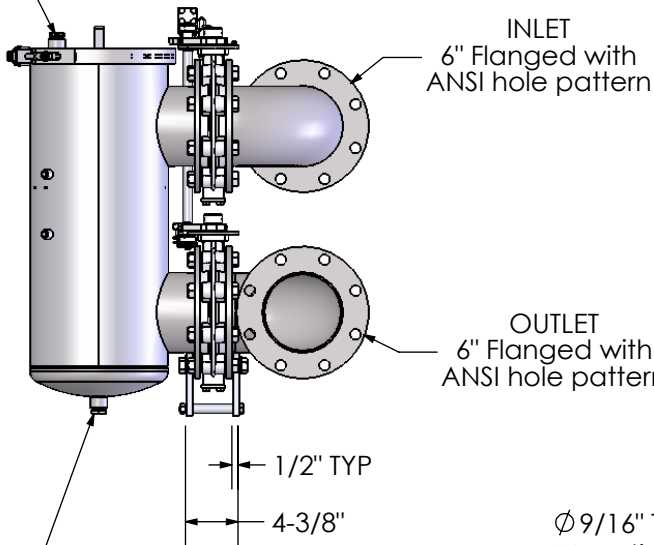
Approval: _____

Plug, 3/4" NPT
(Air Relief)

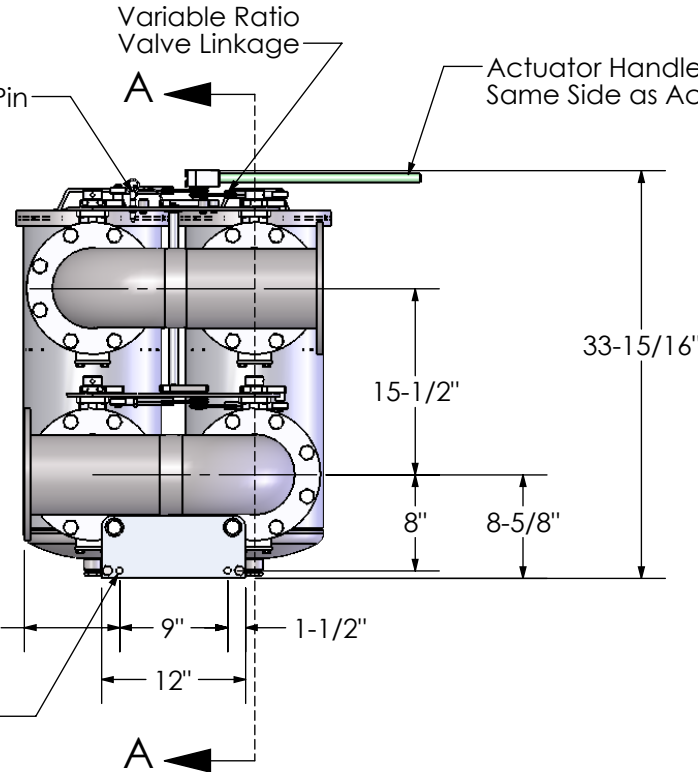
Actuator Locking Pin

Variable Ratio
Valve Linkage

Actuator Handle Position On
Same Side as Active Strainer



OUTLET
6" Flanged with
ANSI hole pattern



33-15/16"

15-1/2"

8"

8-5/8"

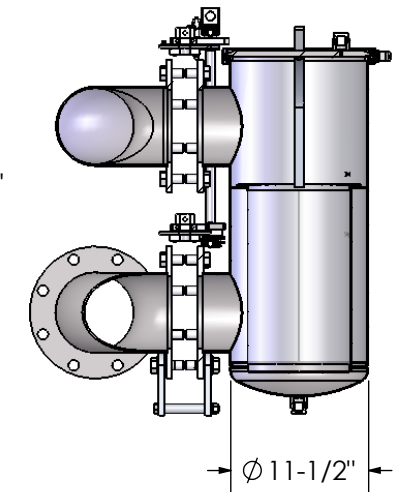
7-15/16"

9"

1-1/2"

12"

Ø 9/16" Thru Both
Mounting Plates
2 Places



Ø 11-1/2"

SECTION A-A

PRODUCT SPECIFICATION

MILLER-LEAMAN INC.

800 Orange Ave. Daytona Beach FL 32114

DRAWN	J. Larsen	9/27/11
CHECKED		
ENG APPR.		
MKT APPR.		
SHEET 1 OF 1	Ref: ML21524-B	Rev. B

TITLE
**6" Duplex Basket
Strainer, Starboard
(ML21524-B)**