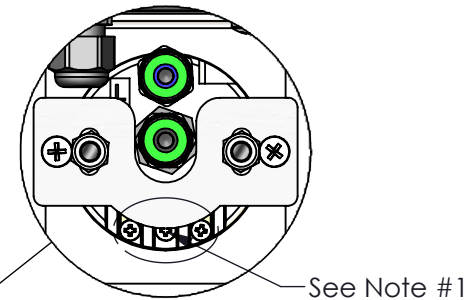


REVISIONS			
REV.	DESCRIPTION	DATE	APPROVAL
cler cng	Corrected PLC input terminal connections on sheet 2.	10/24/2014	DMP
cler cng	Corrected 4&6 Pin Connector plug part dash numbers.	2/19/2015	DMP
A	ECN# 10119 Item 4, Standoff changed from PS00477-1 to PS00477-3.	10/18/2016	DMP
B	Removed 2 each PS00497, added 2 each PS00518.	7/06/2017	DMP
cler cng	Added NOTE 1 and referenced Detail diagram.	1/24/2020	DMP

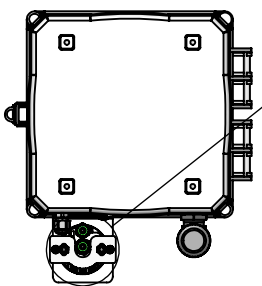
ITEM NO.	PART NUMBER	DESCRIPTION	ML20639-04L NoCvr/QTY.
1	ML10203-22	Maxim, Control Box Enclosure, 8x8x4, Drilled Base	1
2	ML10146	Bracket, Single Gauge Mount, 14 ga SS	1
3	PS00253-2	Standoff 2" long, Alum (1/4" hex #8 thread)	2
4	PS00477-3	Standoff, 1.125" - Alum., 5/16" hex, 10-32 thread M&Fm	4
5	ML10504-5	Face Plate, for M4, Millenium 3 (24VAC Relay)	1
6	PS00481	Knob, Black Plastic, 1/4" Shaft	1
7	PS00483-6	Connector Plug, Spring Latch, 5mm 6 Pin	4
8	PS00483-4	Connector Plug, Spring Latch, 5 mm 4 pin	1
9	PS90743-0006	Screw, Pan, Phillips head 10-32x0.375x0.375-N	6
10	PS90252-16	Nut, #8-32 Nyloc Hex, Stainless Steel	2
11	ML20640-04E	M4 PC Board with components - Modified	1
12	PS01578-3	PLC - Crouzet CD12 - 24 VAC	1
13	ML10545	Label, Face Plate, M4(Changing Menu Screen Instructions)	1
14	PS00517	Cap Nut, Acorn, Nylon-Black, 8-32	1
15	PS00518	Thumb Screw, Nylon Black-8-32 x 3/8"	3
16	PS00046-02	Strain Relief, 3/8" NPT	1
17	PS00046-01	Strain Relief, 1/4" NPT	1
18	PS01045	Fitting, Conduit 90 Deg Elbow, -1/2" NPT	1
19	PS90739-0008	Screw, 8-32 x 1/2 stainless phillips pan head screw	2
20	ML21354-01	Gauge, PD Assy - ATD	1
21	PS00061	Tubing, Air - 1/4", Black Poly	1
22	PS00610-0100	Tubing, Air 1/4" Flexible, Blue, Nylon 12	1
23	PS00578	Socket, Mounting Octal 8 Pin	1
24	PS00831-03	24VAC, Relay	1
25	PS90724-0010	Screw 6-32 x 3/4" N Long Pan Oval head	2



DETAIL A
Back view of Murphy DPG.

NOTES:
1- WIRE CONNECTIONS AT DPG TO BE COATED WITH PROTECTO FLEX SPRAY AFTER ASSEMBLING.

SEE SHEET 2 OF 2 FOR ELECTRICAL SCHEMATIC



PROPRIETARY AND CONFIDENTIAL
THE INFORMATION CONTAINED IN THIS DRAWING IS THE SOLE PROPERTY OF MILLER-LEAMAN INC. ANY REPRODUCTION IN PART OR AS A WHOLE WITHOUT THE WRITTEN PERMISSION OF MILLER-LEAMAN INC. IS PROHIBITED.

UNLESS OTHERWISE SPECIFIED:
-DIMENSIONS ARE IN INCHES
-DIMENSIONING & TOLERANCING PER ASME Y14.5
-TOLERANCES:
FRACTIONAL: ±1/32
ANGULAR: ±1/4°
TWO PLACE DECIMAL ±.02
THREE PLACE DECIMAL ±.005

	NAME	DATE
DRAWN	DMP	10/13/2014
MFG APPR.		
CHECKED		
ENG APPR.		
Q.A.		

MILLER-LEAMAN INC.
800 Orange Avenue, Daytona Beach, FL 32124

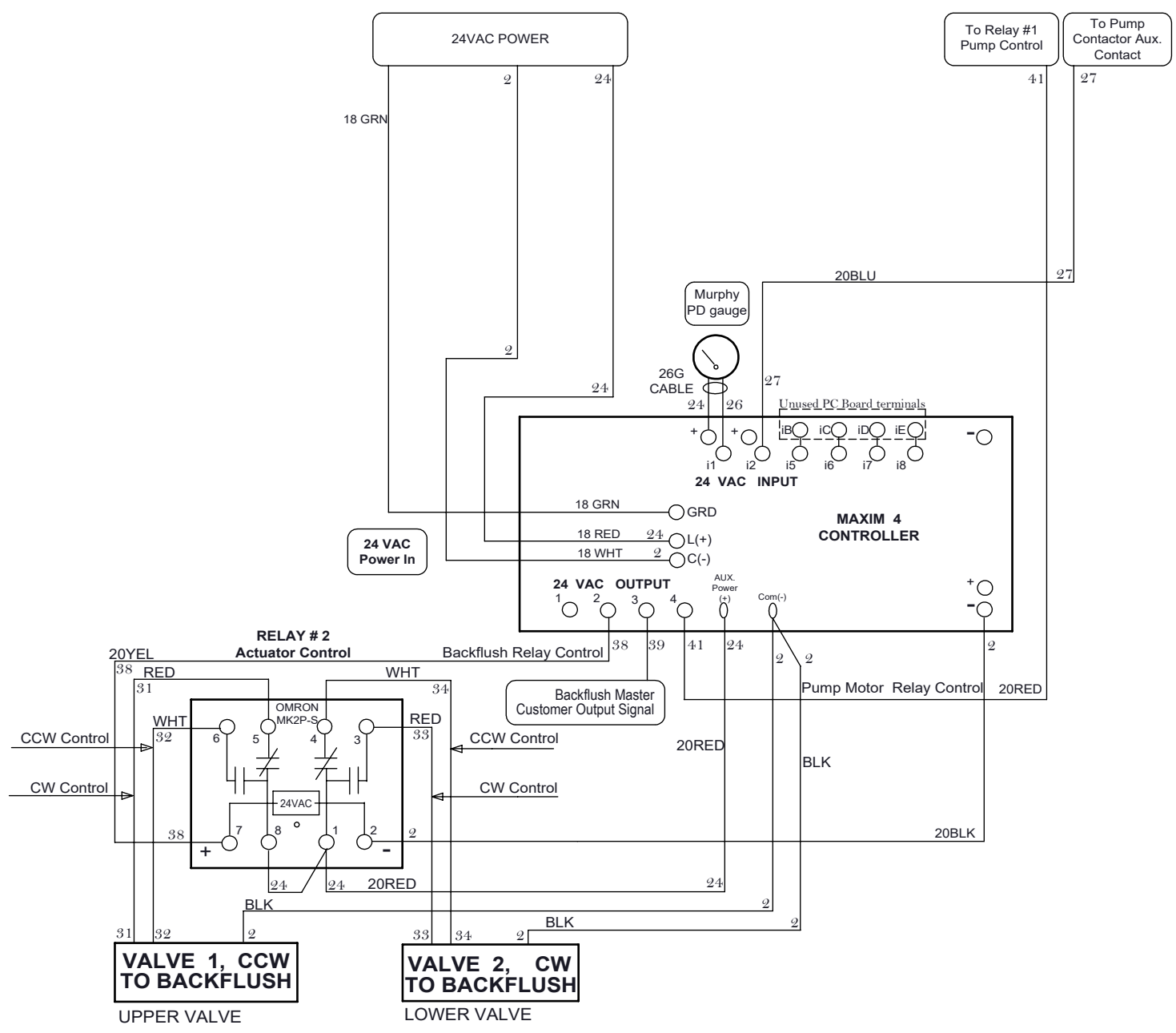
Maxim 4, CD12-24VAC, Murphy PD gauge 0-15 PSID

SIZE	DWG. NO.	REV.
B	ML20639-04L	B

SCALE:1:4 WEIGHT: SHEET 1 OF 2

MATERIAL
FINISH
DO NOT SCALE DRAWING

Starter Box Connections



Note - Sand Filter Tower Water Backflush Configuration only

UNLESS OTHERWISE SPECIFIED:		NAME	DATE	MILLER - LEAMAN 800 Orange Avenue, Daytona Beach, FL 32114 TITLE: Electrical Schematic Maxim Controller, Millenium 3, M4, 24VAC, SF Actuator Relay #2	
- DIMENSIONS ARE IN INCHES		DRAWN	DMP		10/16/2014
- DIMENSIONS & TOLERANCES PER ASME Y15.5 STANDARDS		CHECKED			
- TOLERANCES:		ENG APPR			
- FRACTIONAL +/- 1/32		MFG APPR			
- ANGULAR +/- 1/4 deg		Q.A.			
- TWO PLACE DECIMAL +/- .02		COMMENTS:			
- THREE PLACE DECIMAL +/- .005		Sand Filter Configuration		SIZE DWG. NO. REV B ML20639-04L --	
DO NOT SCALE DRAWING		SCALE:1:1	WEIGHT:	SHEET 2 OF 2	

PROPIETARY AND CONFIDENTIAL
 THE INFORMATION CONTAINED IN THIS DRAWING IS THE SOLE PROPERTY OF MILLER-LEAMAN INC.
 ANY REPRODUCTION IN PART OR AS A WHOLE WITHOUT THE WRITTEN PERMISSION OF MILLER-LEAMAN INC. IS PROHIBITED.