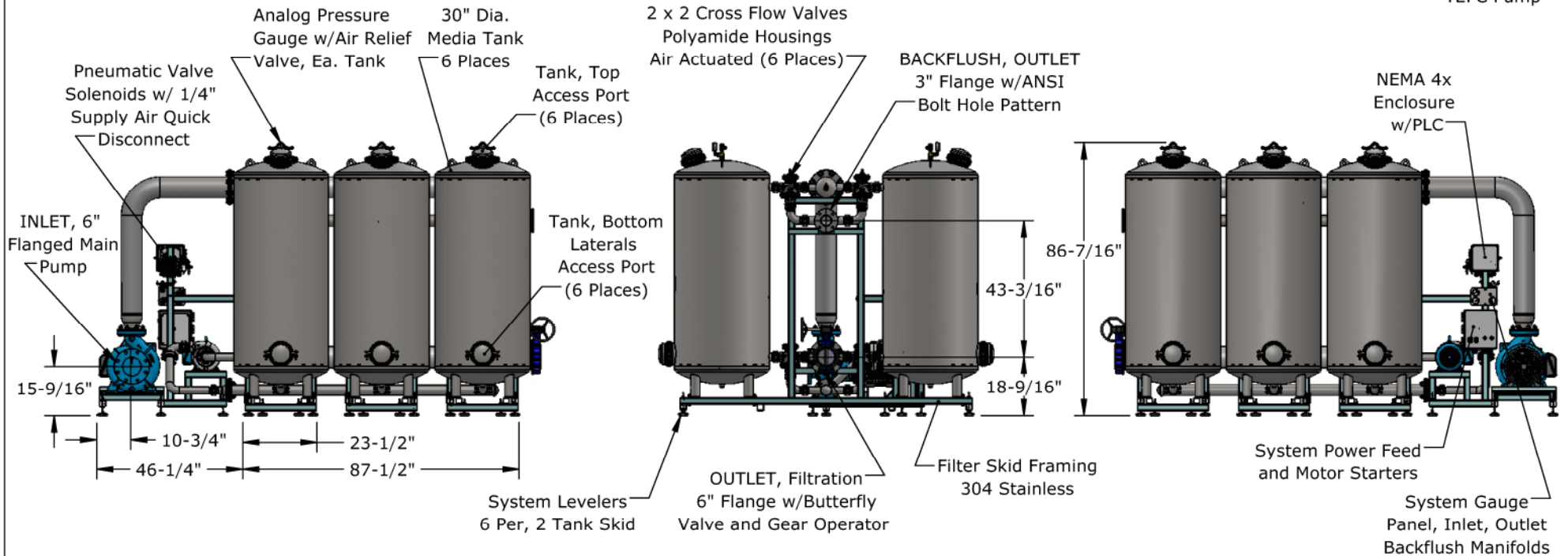
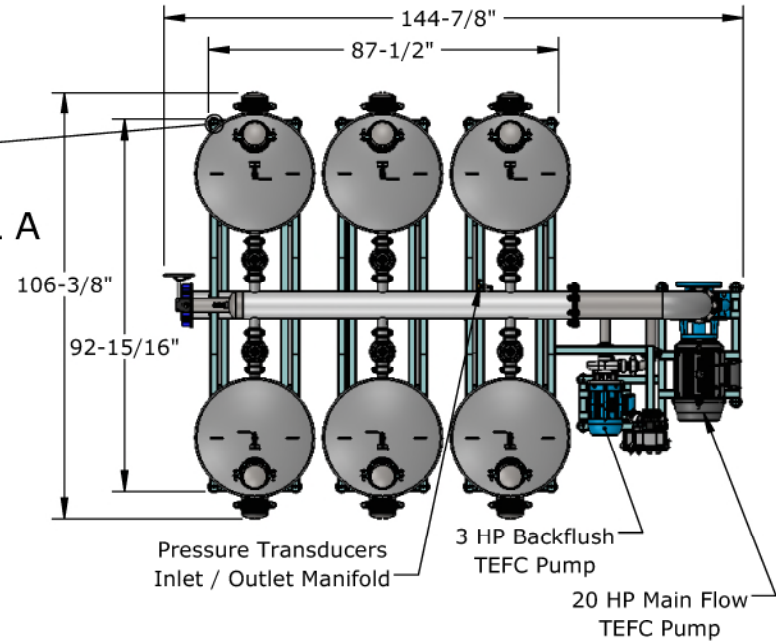




Punch Outs 5/16"
Anchor Points
2 Per Leveler
Available

DETAIL A



PRODUCT SPECIFICATION



800 Orange Ave. Daytona Beach FL 32114

DRAWN	L. Brannan	11/1/23	SYSTEM SPECIFICATIONS		
Notes:			Electrical / Air Supply:	460VAC/60Hz/3Ph/33A 2 CFM@60-80 PSI	
			Water Supply PSI @ Inlet	50 PSI Max	
			Water Supply PSI @ Backwash Inlet	30 PSI Max	
			System Pressure	50 PSI Max	
			Dry Weight/Dry Weight w/Media/Vol.	2975lbs/8675lbs/Approx:5000 gal	
Ref:	ML23324-02	SHEET 1 of 1	Rev:---	Media Required	950 lbs. Ea / 5700 lbs Total

TITLE:
TOWERGUARD
 TG-SS-(6)30-P600-3P(A)
 Media Filter Skid System