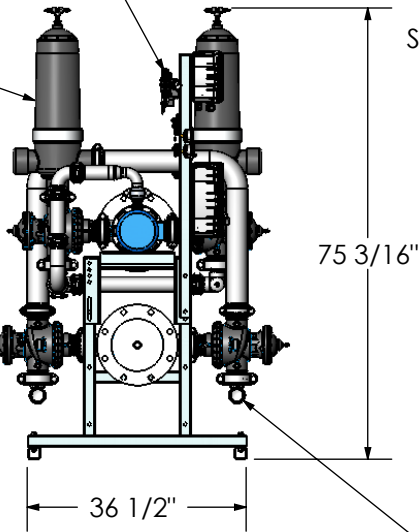


Pneumatic Valve Manifold

ATD-3NV-130 Filter
(130 Micron)
Polyamide Housing
8 Places

3x3 Angle Flow Valve
Polyamide Housing
16 Places



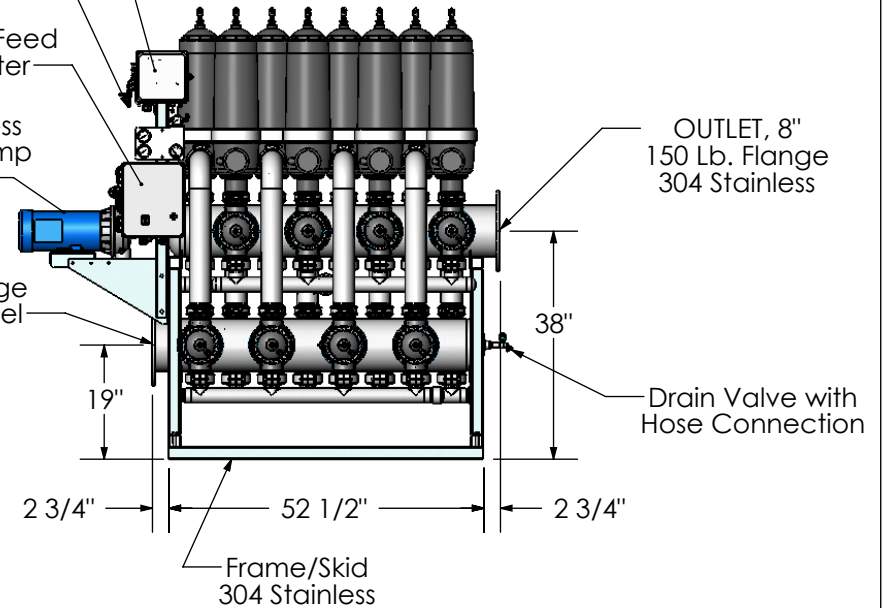
2" NPT(m) Backflush Manifold - 2 Places
Connections may be made at either end.
(2 threaded pipe caps are supplied)

Controller

Air Connection

System Power Feed
& Motor Starter
316 Stainless
Booster Pump
5 HP

INLET, 8"
150 Lb. Flange
Stainless Steel



OUTLET, 8"
150 Lb. Flange
304 Stainless

Drain Valve with
Hose Connection

Frame/Skid
304 Stainless

SYSTEM REQUIREMENTS

Electrical: 460VAC/3 Phase/60Hz/8A
Air Supply: 4 CFM@80-100 PSI
Water Supply Pressure: 30-75 PSI
Water Flow Rate: 100-800 GPM
Dry Weight: 1250 Lbs.

PRODUCT SPECIFICATION

MILLER-LEAMAN INC.

800 Orange Ave. Daytona Beach FL 32114

DRAWN	L.Brannan	12-9-08
CHECKED		
ENG APPR.		
MKT APPR.		
SHEET 1 OF 1		

TITLE
Automatic Turbo-Disc
Filter Skid System
B2-ATD3(8)x8-130M-A