

GENERAL SPECIFICATIONS:

- Maximum Flow: 200 GPM (No minimum flow requirement)
- Maximum Pressure: 125 PSI (Higher pressure models are available).
- Maximum Temperature: 135° F (Higher temperature models are available).
- Screen Surface Area 200 Sq. In.

MATERIALS:

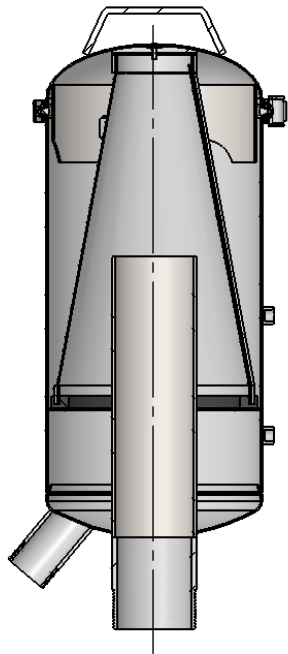
- Housing: 316 Stainless.
- Gasket: EPDM standard (other compounds available)
- Screen Mesh: 316 Stainless.
- Perforated Sheet Screen Backup: 316 Stainless.
- Clamp: 301, 302 or 304 Stainless.

SCREEN OPTIONS:

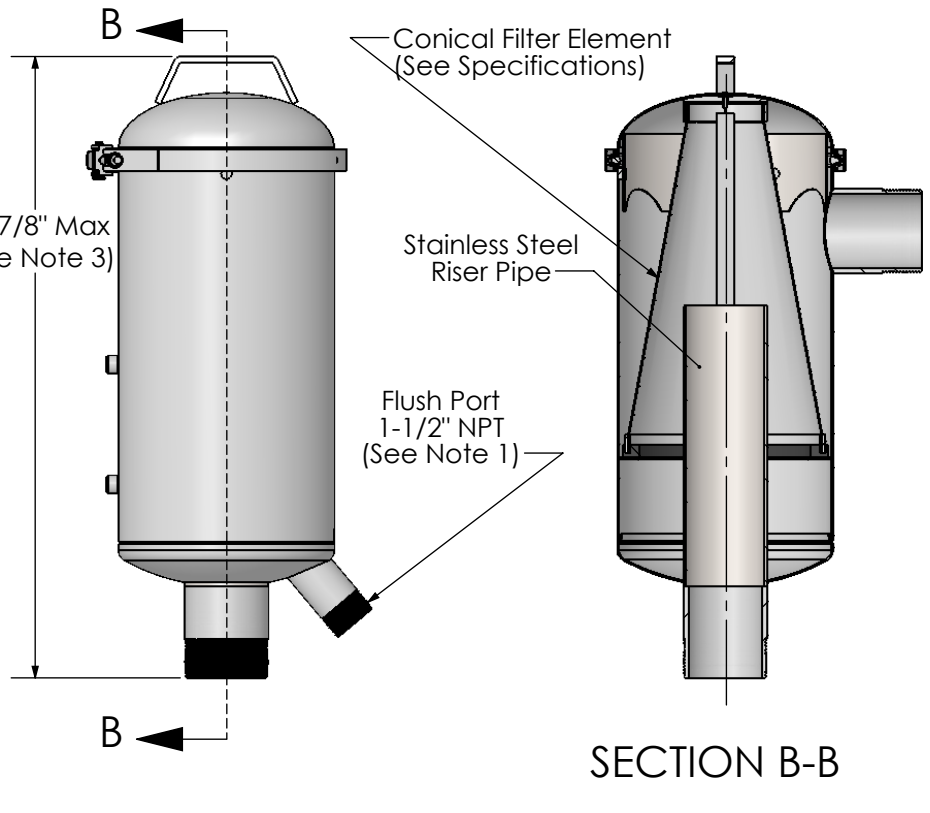
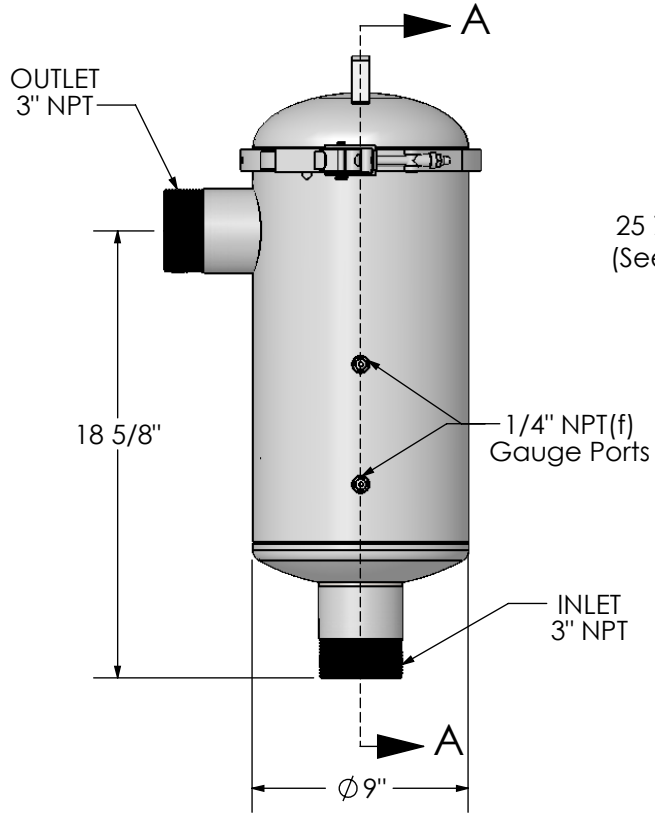
- Multiple screen mesh and perforated sheet sizes available. (See product catalog for samples)

NOTES:

- 1- Flush Port is available in larger sizes.
- 2- Dimensions are for informational purposes only and are subject to change.
- 3- 41" Overall Height is required for filter element removal.



SECTION A-A



SECTION B-B

PRODUCT SPECIFICATION	DRAWN	J. Larsen	10/20/06	TITLE TYPE 316 Thompson Strainer MLS-3-T316
	CHECKED			
MILLER-LEAMAN INC. 800 Orange Ave. Daytona Beach FL 32114	ENG APPR.			
	MKT APPR.			
	SHEET 1 OF 1		REV A	