

GENERAL SPECIFICATIONS:

- Maximum Flow: 750 GPM (No minimum flow requirement).
- Maximum Pressure: 150 PSI. (Higher pressure models are available)
- Not Designed for Suction/Vacuum.
- Maximum Temperature: 135° F. (Higher temperature models are available)
- Screen Surface Area 745 Sq. In.

MATERIALS:

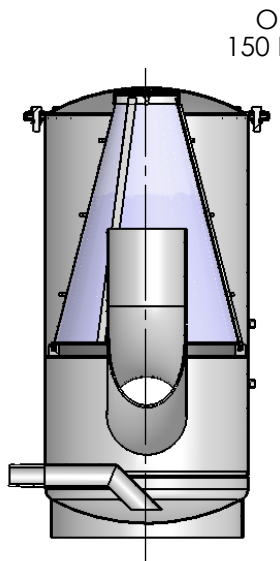
- Housing: 316 Stainless
- Gasket: EPDM standard (other compounds available).
- Screen Mesh: 316 Stainless.
- Perforated Sheet Screen Backup: 316 Stainless.

SCREEN OPTIONS:

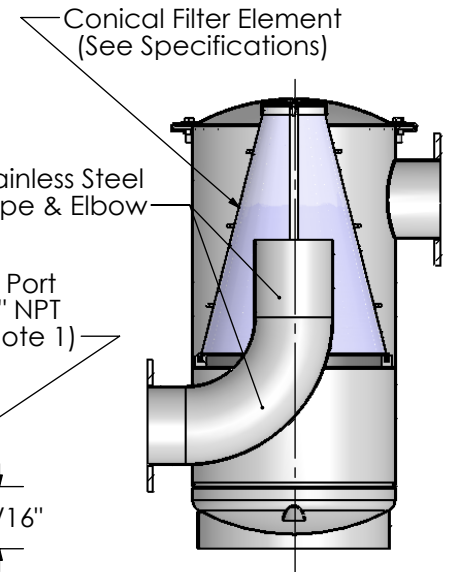
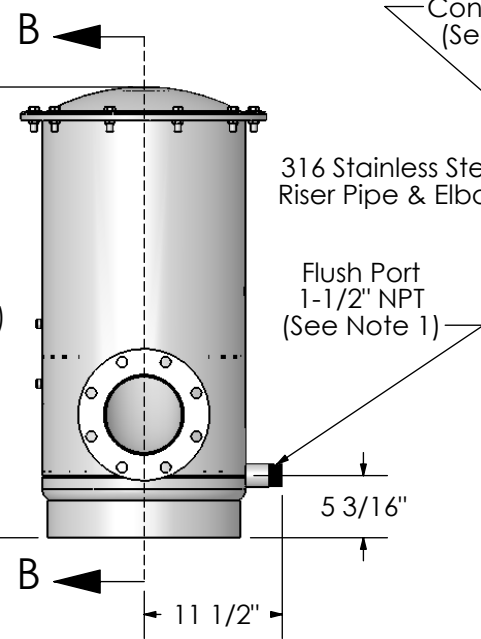
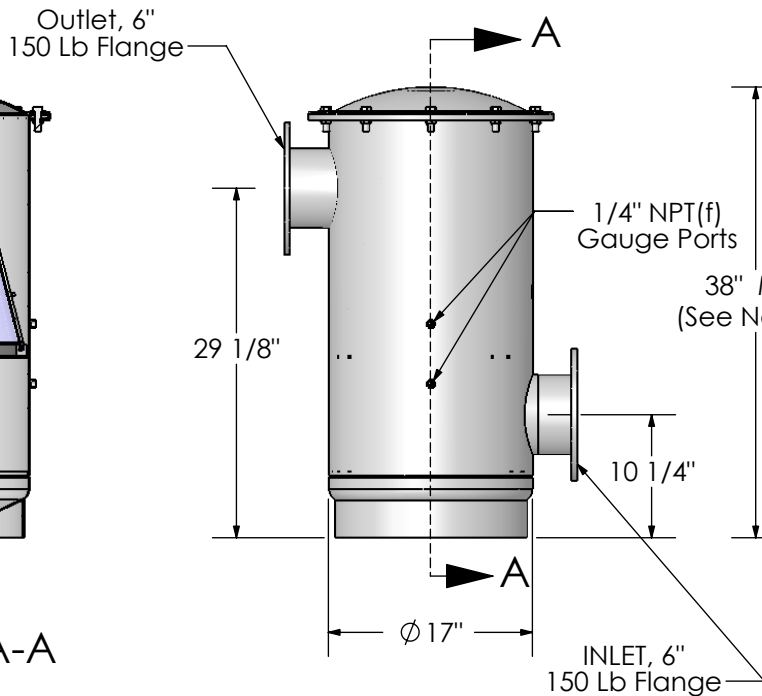
- Multiple screen mesh and perforated sheet sizes available. (See product catalog for samples).

NOTES:

- 1- Flush Port is available in larger sizes. Bottom Flush Port is also available.
- 2- Dimensions are for informational purposes only and are subject to change.
- 3- 58" Overall height is required for filter element removal.



SECTION A-A



SECTION B-B

<p><i>PRODUCT SPECIFICATION</i></p> <p>MILLER-LEAMAN INC. 800 Orange Ave. Daytona Beach FL 32114</p>	DRAWN	J. Larsen	10/19/06	<p>TITLE</p> <p>TYPE 316 Thompson Strainer MLS-6-T316</p>
	CHECKED			
	ENG APPR.			
	MKT APPR.			
SHEET 1 OF 1				