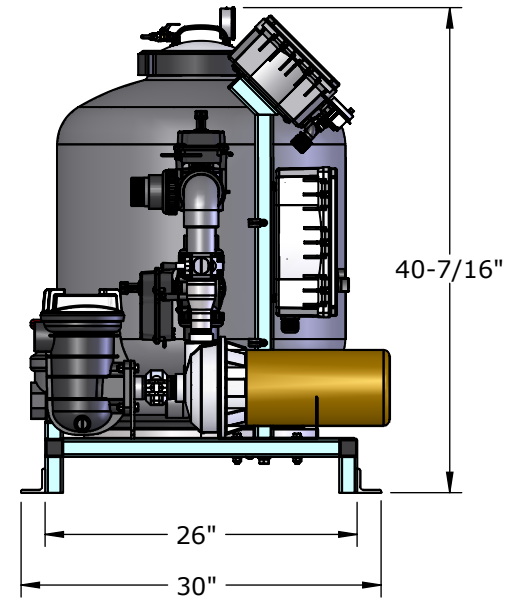
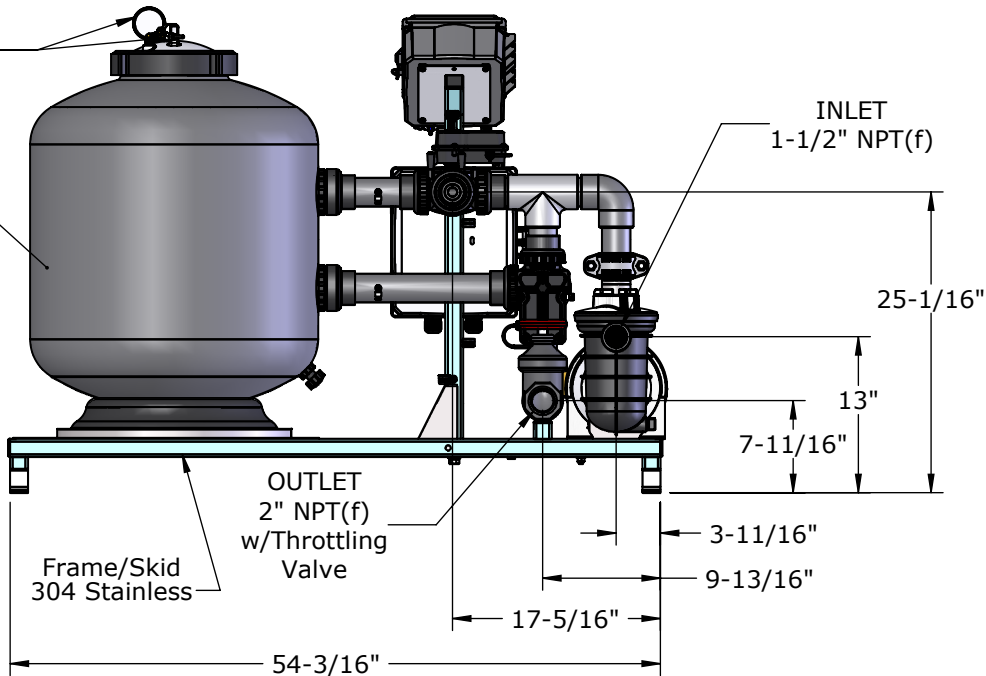


Manual Air Relief
1/4" Ball Valve
and Pressure
Gauge

Fiberglass
Media Filter
24"



PRODUCT SPECIFICATION

DRAWN	DMP	6/10/2016
CHECKED		
ENG APPR.		
MKT APPR.		
SHEET 1 of 1	Ref: ML21737-24T-3P	Rev: C

SYSTEM SPECIFICATIONS:
 Electrical: 460VAC/3Ph/60Hz/xxA
 System Pressure: 50 PSI Max.
 Backflush Pressure: 30 PSI Max.
 Dry Wt: 201 lbs. / Operating Wt: 750 lbs. (w/Media)
 Media Req: 350 lbs. Est.

TITLE: **TowerGuard**
TG-FG-24T-P62-3P
 Media Filter Skid System
 (Using Tower Water for Backwash)

MILLER LEAMAN INC

800 Orange Ave. Daytona Beach FL 32114