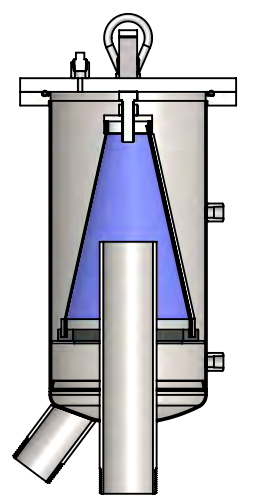


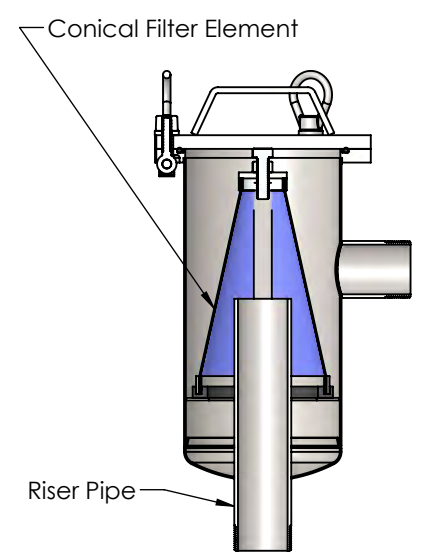
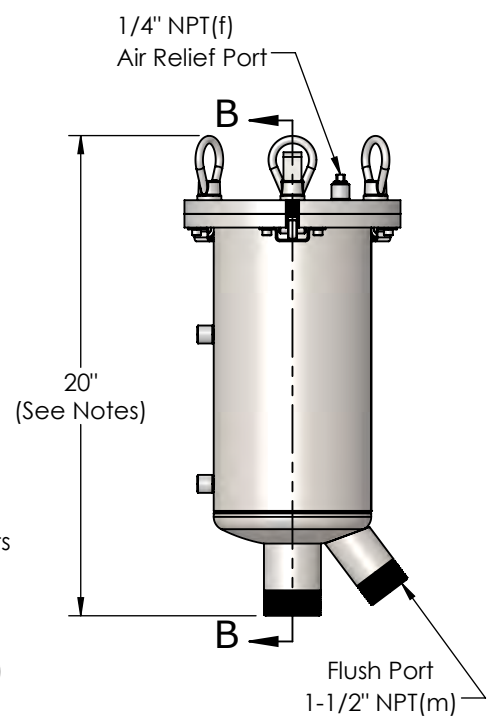
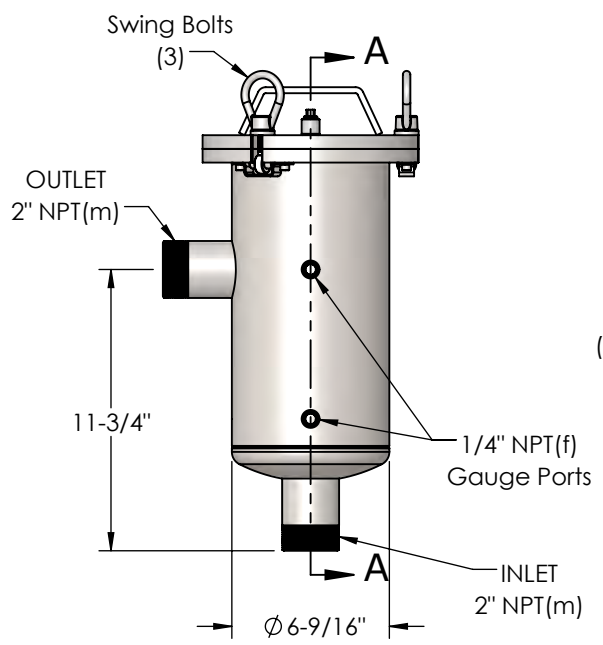
GENERAL SPECIFICATIONS	
DESIGN FLOW (GPM)	100
MAX PRESSURE (PSI)	150
FILTRATION AREA (SQ IN)	122
DRY WEIGHT (LBS)	32
VOLUME (US GAL)	2
MAX TEMP (°F)	135

MATERIALS		
HOUSING / SCREEN FRAME		304SS
SCREEN		316SS
GASKETS		EPDM
RISER PIPE		304SS
CONICAL FILTER ELEMENT		
PERFORATED SCREEN		TBD
MESH SCREEN		TBD
SCREEN HEIGHT (IN)		10.45

**NOTES**  
CLEARANCE ABOVE STRAINER EQUAL TO SCREEN HEIGHT REQUIRED FOR SERVICE



SECTION A-A



SECTION B-B



**PRODUCT SPECIFICATION**



800 Orange Avenue, Daytona Beach, FL 32114

Dimensions are for reference only.	
CUST. REF.	
PREV. MOD.	MLS-2SB
ENG. REF.	ML22370
DWG. DATE	3/10/21

SERIES: THOMPSON	MODEL: STRAINER
CONFIGURATION: MLS-02S-NS1-304E	