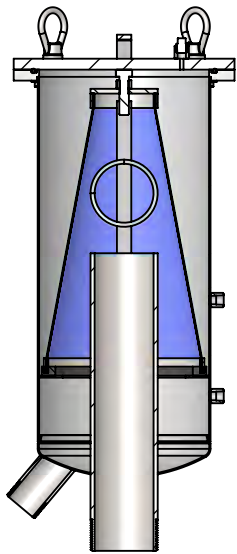
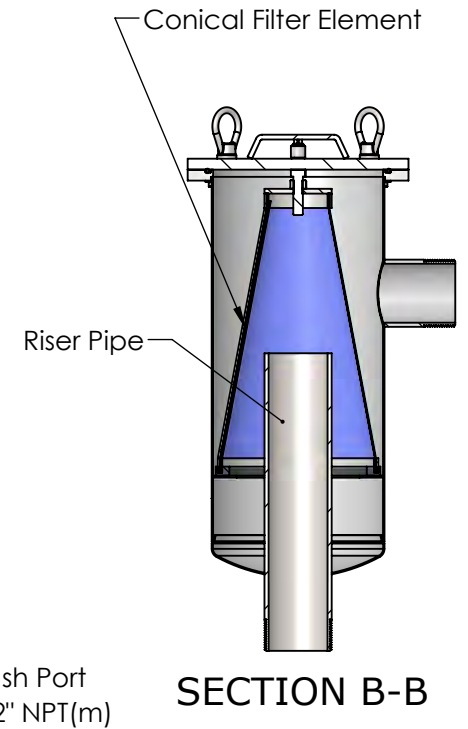
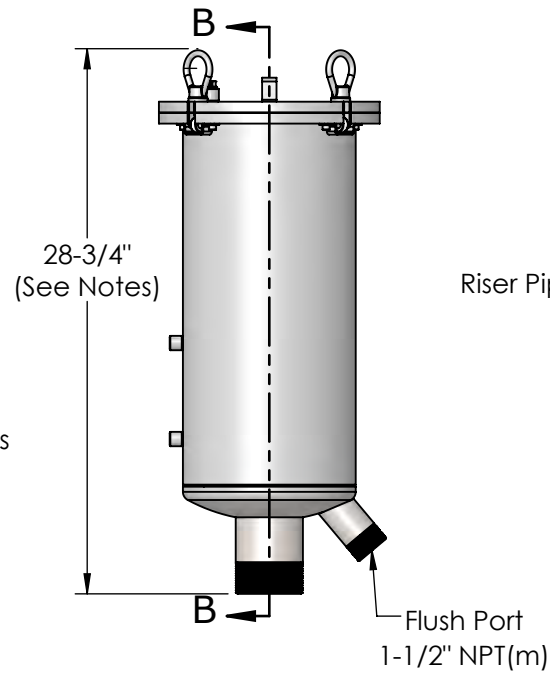
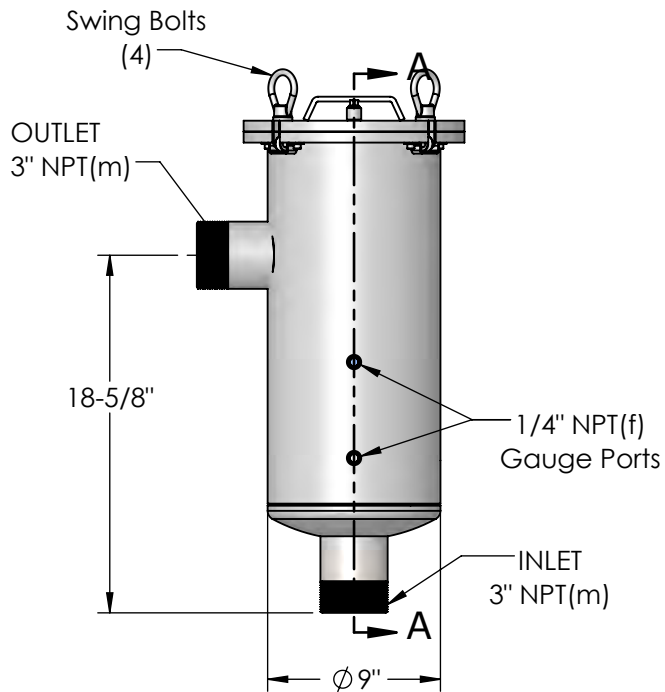


| GENERAL SPECIFICATIONS | |
|-------------------------|-----|
| DESIGN FLOW (GPM) | 200 |
| MAX PRESSURE (PSI) | 150 |
| FILTRATION AREA (SQ IN) | 200 |
| DRY WEIGHT (LBS) | 59 |
| VOLUME (US GAL) | 5 |
| MAX TEMP (°F) | 135 |

| MATERIALS | | |
|--|--|-------|
| HOUSING / SCREEN FRAME | | 304SS |
| SCREEN | | 316SS |
| GASKETS | | EPDM |
| RISER PIPE | | 304SS |
| CONICAL FILTER ELEMENT | | |
| PERFORATED SCREEN | | TBD |
| MESH SCREEN | | TBD |
| SCREEN HEIGHT (IN) | | 16.00 |
| NOTES | | |
| CLEARANCE ABOVE STRAINER EQUAL TO SCREEN HEIGHT REQUIRED FOR SERVICE | | |



SECTION A-A



PRODUCT SPECIFICATION

MILLER LEAMAN
800 Orange Avenue, Daytona Beach, FL 32114

| | |
|------------------------------------|---------|
| Dimensions are for reference only. | |
| CUST. REF. | |
| PREV. MOD. | MLS-3SB |
| ENG. REF. | ML22360 |
| DWG. DATE | 3/10/21 |

| | |
|------------------------------------|--------------------|
| SERIES: THOMPSON | MODEL: STRAINER |
| CONFIGURATION: MLS-03S-NS1-304E | |