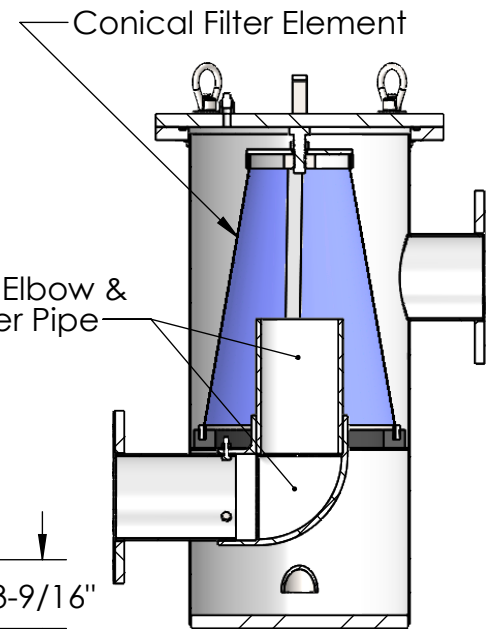
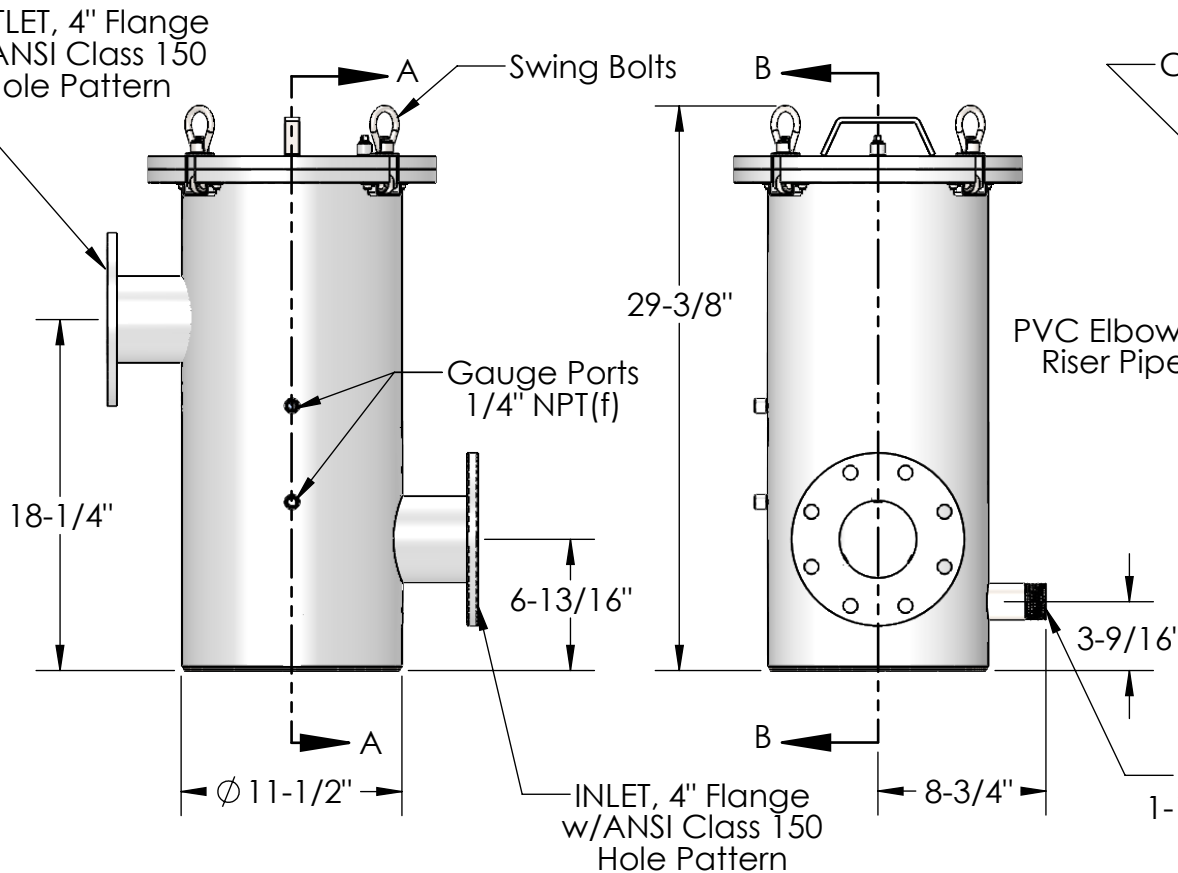
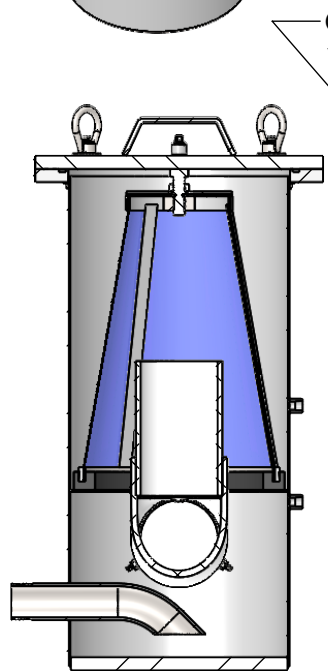


GENERAL SPECIFICATIONS	
DESIGN FLOW (GPM)	350
MAX PRESSURE (PSI)	150
FILTRATION AREA (SQ IN)	367
DRY WEIGHT (LBS)	135
VOLUME (US GAL)	11
MAX TEMP (°F)	135

MATERIALS		
HOUSING / SCREEN FRAME		304SS
SCREEN		316SS
GASKETS		EPDM
ELBOW & RISER PIPE		PVC
CONICAL FILTER ELEMENT		
PERFORATED SCREEN		TBD
MESH SCREEN		TBD
SCREEN HEIGHT (IN)		16.75

NOTES		
CLEARANCE ABOVE STRAINER EQUAL TO SCREEN HEIGHT REQUIRED FOR SERVICE		



SECTION A-A

SECTION B-B



PRODUCT SPECIFICATION

MILLER LEAMAN
800 Orange Avenue, Daytona Beach, FL 32114

Dimensions are for reference only.	
CUST. REF.	N/A
PREV. MOD.	N/A
ENG. REF.	ML23016
DWG. DATE	4/21/21
	SHEET 1 of 1

SERIES: THOMPSON	MODEL: STRAINER
CONFIGURATION: MLS-04S-FP2-304E	