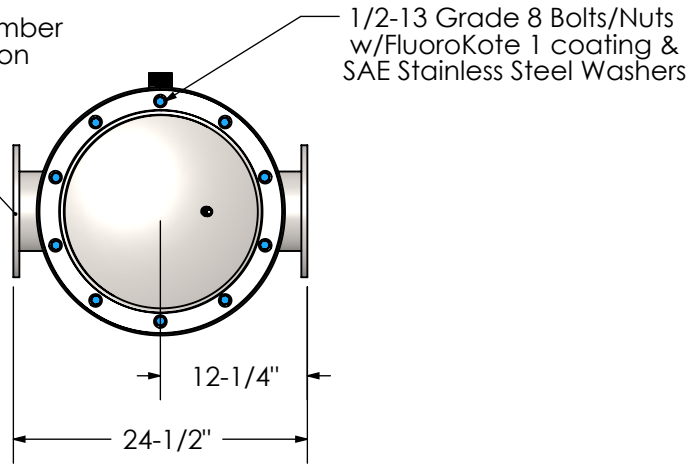


Serial Number Location



GENERAL SPECIFICATIONS	
DESIGN FLOW (GPM)	750
MAX PRESSURE (PSI)	150
FILTRATION AREA (SQ IN)	745
DRY WEIGHT (LBS)	164
VOLUME (US GAL)	34
MAX TEMP (°F)	TBD

MATERIALS		
HOUSING / SCREEN FRAME		304SS
SCREEN		316SS
GASKETS		EPDM
ELBOW & RISER PIPE		304SS
CONICAL FILTER ELEMENT		
PERFORATED SCREEN		TBD
MESH SCREEN		TBD
SCREEN HEIGHT (IN)		22.32

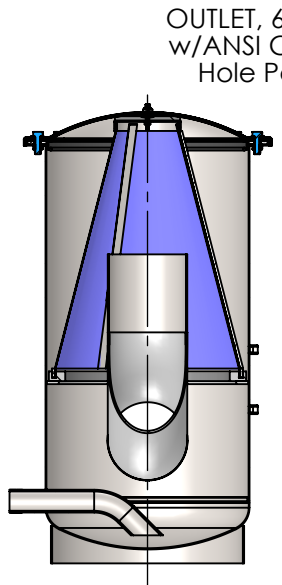
**NOTES**

CLEARANCE ABOVE STRAINER EQUAL TO SCREEN HEIGHT REQUIRED FOR SERVICE

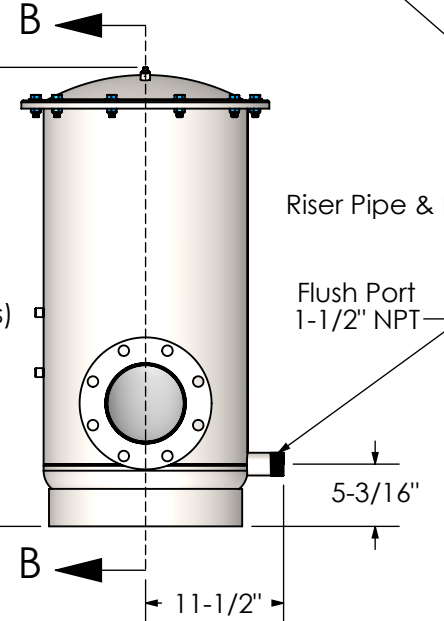
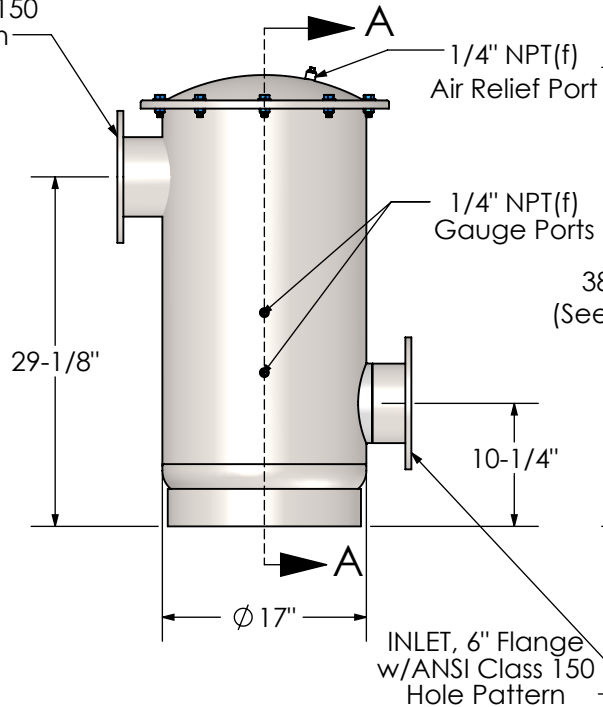
**WARNING!**  
Exposure to high temperature water or equipment can cause serious injury or death. Proper thermal protection safeguards and PPE practices must be utilized.

Seller: \_\_\_\_\_

End User: \_\_\_\_\_



SECTION A-A



SECTION B-B



**PRODUCT SPECIFICATION**

**MILLER LEAMAN**  
800 Orange Avenue, Daytona Beach, FL 32114

Dimensions are for reference only.

CUST. REF.	
PREV. MOD.	MLS-6-HT
ENG. REF.	ML20430-F-X-R-MOD2
DWG. DATE	3/14/22

SERIES:	THOMPSON	MODEL:	STRAINER
CONFIGURATION:		MLS-06B-FS2-304E-M1	