

GENERAL SPECIFICATIONS:

- Maximum Flow: 350 GPM (No minimum flow requirement)
- Maximum Pressure: 200 PSI
- Maximum Temperature: 135° F (Higher temperature models are available)
- Screen Surface Area 367 Sq. In.

MATERIALS:

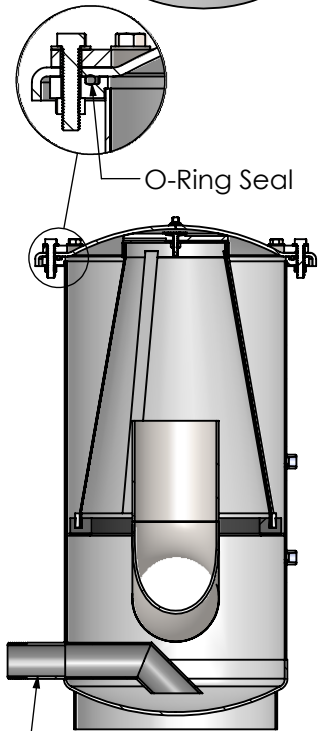
- Housing: 304 Stainless
- Gasket: EPDM standard (other compounds available)
- Screen Mesh: 316 Stainless
- Perforated Sheet Screen Backup: 316 Stainless

SCREEN OPTIONS:

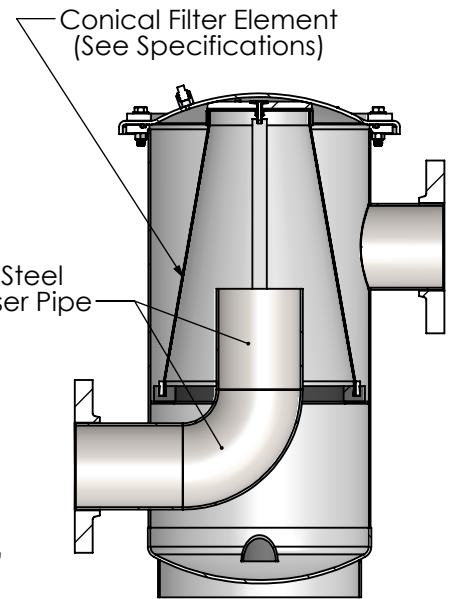
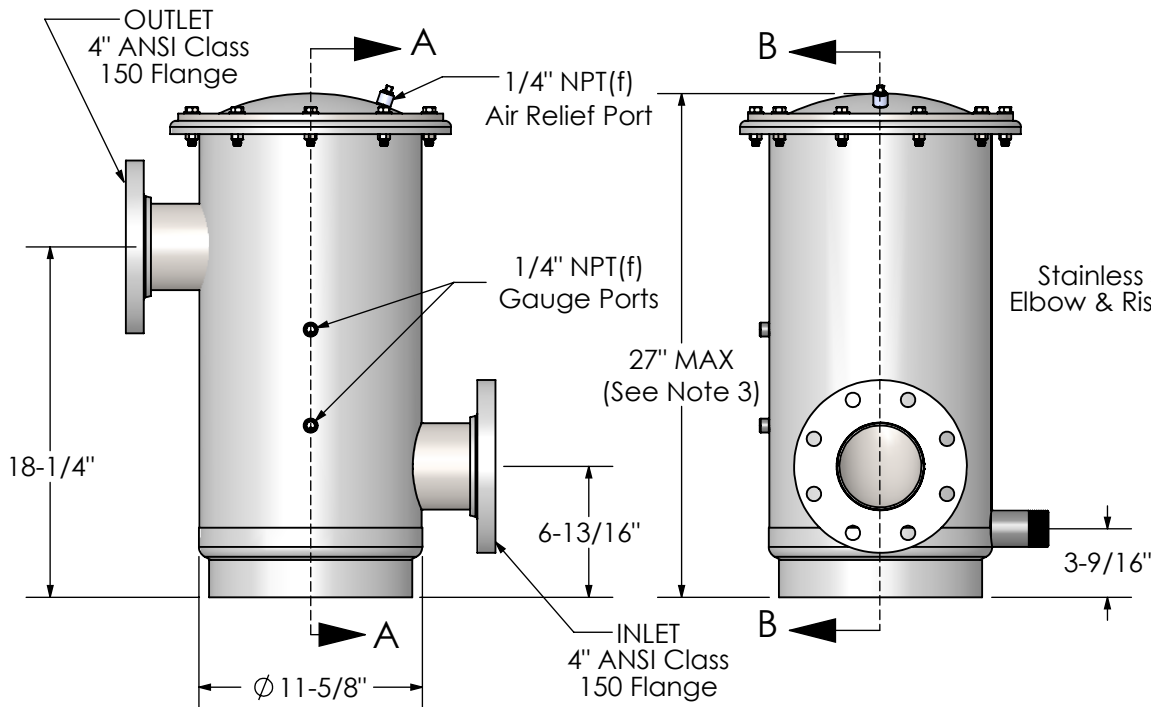
- Multiple screen mesh and perforated sheet sizes available. (See product catalog for samples)

NOTES:

- 1- Flush Port is available in other sizes and locations. Bottom Flush Port is also available.
- 2- Dimensions are for informational purposes only and are subject to change.
- 3- 42" overall height is required for filter element removal.



SECTION A-A



SECTION B-B

Flush Port
1-1/2" NPT(m)
(See Note 1)

PRODUCT SPECIFICATION MILLER-LEAMAN INC. 800 Orange Ave. Daytona Beach FL 32114	DRAWN	J. Larsen	1/11/10	TITLE Thompson Strainer MLS-4B-200PSI
	CHECKED			
	ENG APPR.			
	MKT APPR.			
	SHEET 1 OF 1	Ref: ML21349	Rev. B	