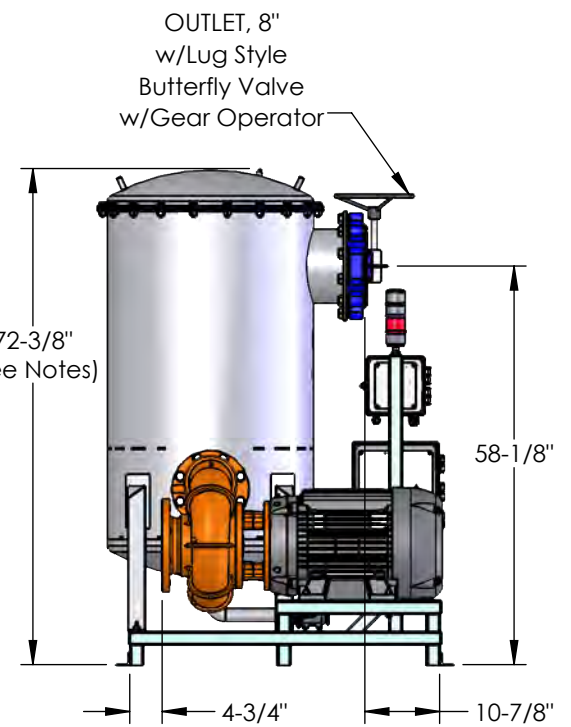
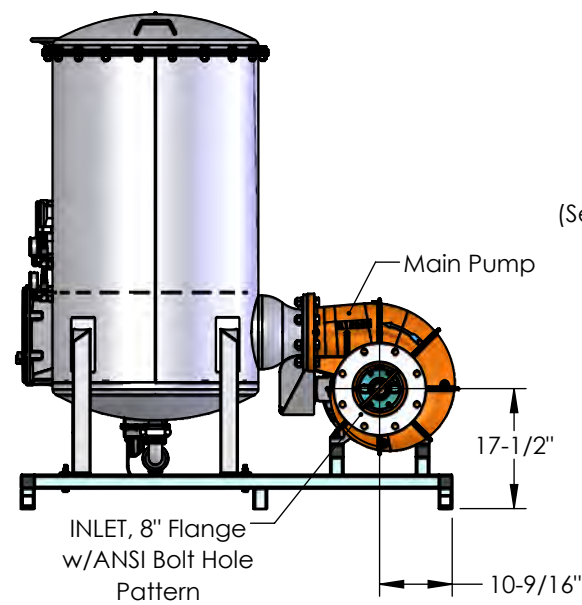
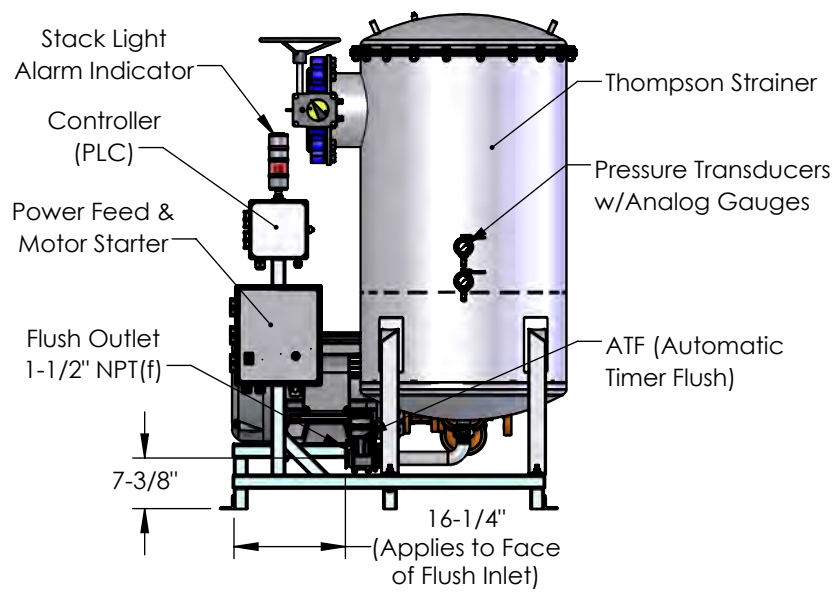


GENERAL SPECIFICATIONS	
DESIGN FLOW RANGE (GPM)	1450-2250
PUMP DISCHARGE RANGE (PSI)	33~24
MAX SYSTEM PRESSURE (PSI)	150
MAX SUPPLY PRESSURE	110
FILTRATION AREA (SQ IN)	2434
MAX TEMP (°F)	135
VOLUME (US GAL)	170
DRY WEIGHT (LBS)	1318
MAIN PUMP	40 HP
ELECTRICAL: 460VAC/3Ph/60Hz/53A	

MATERIALS		
HOUSING / SCREEN FRAME		304SS
SCREEN		316SS
GASKETS		EPDM
ELBOW & RISER PIPE		304SS
SKID / FRAME		304SS
PUMP CASING		CI
CONICAL FILTER ELEMENT		
PERFORATED SCREEN		1/4"
MESH SCREEN		TBD
SCREEN HEIGHT (IN)		40.10
NOTES		
CLEARANCE ABOVE STRAINER EQUAL TO SCREEN HEIGHT REQUIRED FOR SERVICE		



PRODUCT SPECIFICATION

MILLER LEAMAN
800 Orange Avenue, Daytona Beach, FL 32114

Dimensions are for reference only.	
CUST. REF.	
PREV. MOD.	
ENG. REF.	ML23043
DWG. DATE	6/21/21
	SHEET 1 of 1

SERIES: THOMPSON	MODEL: PUMP SKID
CONFIGURATION: MLS-10 Skid System	

Pump Performance Datasheet

Customer :	Quote number :
Customer reference :	Size : 6 x 8 x 9.5 BHH (B6ZPBHH)
Item number : Default	Stages : 1
Service :	Based on curve number : 6x8x9.5BHH
Quantity : 1	Basic model number : B6ZBHH
	Date last saved : 17 Jun 2021 7:09 AM

Operating Conditions		Liquid	
Flow, rated	: 2,250.0 (1,450.0) USgpm	Liquid type	: --Water
Differential head / pressure, rated (requested)	: 55.37 (77.13) ft	Additional liquid description	:
Differential head / pressure, rated (actual)	: 55.37 ft	Solids diameter, max	: 0.00 in
Suction pressure, rated / max	: 0.00 / 0.00 psi.g	Solids concentration, by volume	: 0.00 %
NPSH available, rated	: Ample	Temperature, max	: 68.00 deg F
Site Supply Frequency	: 60 Hz	Fluid density, rated / max	: 1.000 / 1.000 SG
		Viscosity, rated	: 1.00 cP
		Vapor pressure, rated	: 0.00 psi.a

Performance		Material	
Speed criteria	: Synchronous	Material selected	: Not specified
Speed, rated	: 1750 rpm	Pressure Data	
Impeller diameter, rated	: 9.63 in	Maximum working pressure	: 39.00 psi.g
Impeller diameter, maximum	: 9.63 in	Maximum allowable working pressure	: 175.0 psi.g
Impeller diameter, minimum	: 8.12 in	Maximum allowable suction pressure	: N/A
Efficiency	: 79.90 (78.63) %	Hydrostatic test pressure	: N/A
PEI (CL)	: 0.96	Driver & Power Data (@Max density)	
NPSH required / margin required	: 18.91 (13.83) / 0.00 ft	Driver sizing specification	: Rated power
Ns (imp. eye flow) / Nss (imp. eye flow)	: 3,261 / 9,583 US Units	Margin over specification	: 0.00 %
MCSF	: 692.8 USgpm	Service factor	: 1.15 (used)
Head, maximum, rated diameter	: 90.08 ft	Power, hydraulic	: 31.46 (28.24) hp
Head rise to shutoff	: 62.70 (16.80) %	Power, rated	: 39.37 (35.92) hp
Flow, best eff. point	: 1,900.0 USgpm	Power, maximum, rated diameter	: 39.37 hp
Flow ratio, rated / BEP	: 118.42 (76.32) %	Minimum recommended motor rating	: 40.00 hp / 29.83 kW
Diameter ratio (rated / max)	: 99.95 %		
Head ratio (rated dia / max dia)	: 99.81 %		
Cq/Ch/Ce/Cn [ANSI/HI 9.6.7-2010]	: 1.00 / 1.00 / 1.00 / 1.00		
Selection status	: Acceptable		

