

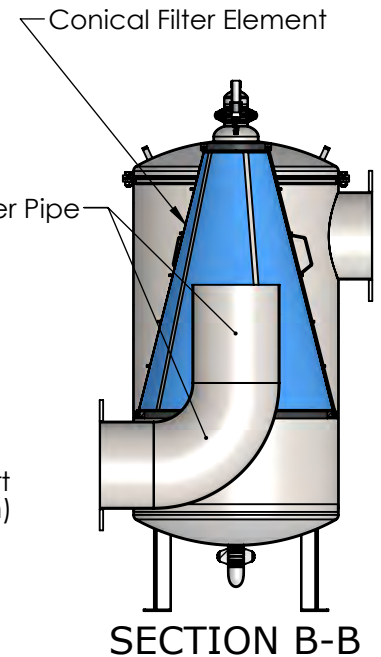
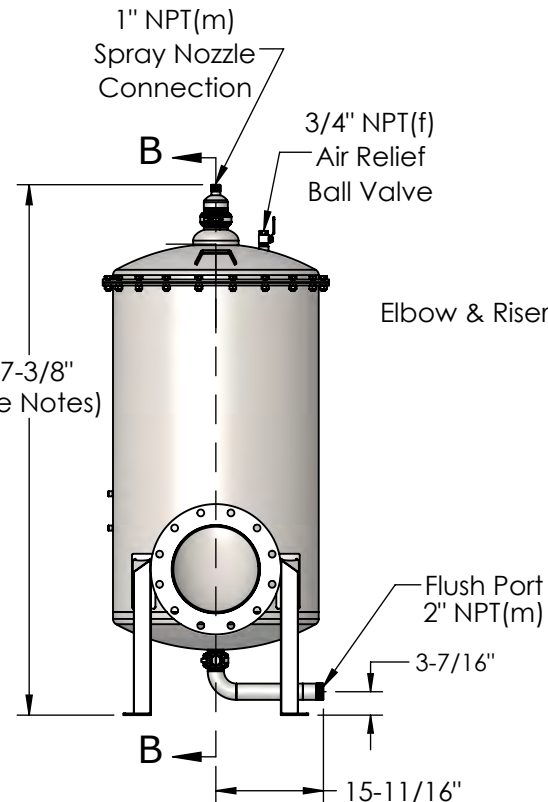
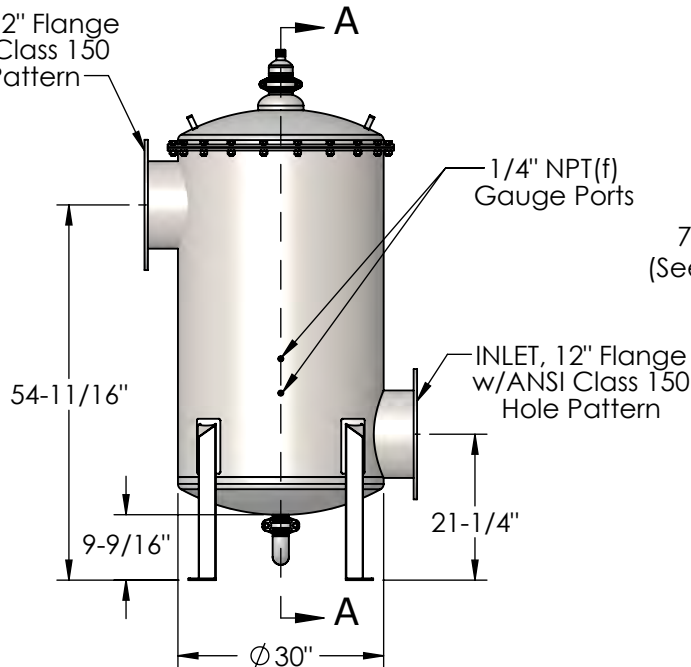
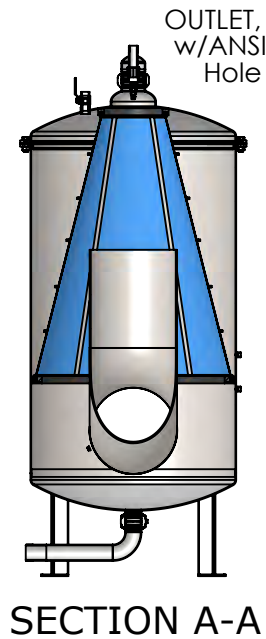
GENERAL SPECIFICATIONS	
DESIGN FLOW (GPM)	3000
MAX PRESSURE (PSI)	150
FILTRATION AREA (SQ IN)	2434
DRY WEIGHT (LBS)	505
VOLUME (US GAL)	172
MAX TEMP (°F)	135

MATERIALS	
HOUSING / SCREEN FRAME	304SS
SCREEN	316SS
GASKETS	EPDM
ELBOW & RISER PIPE	304SS

RINSE NOZZLE REQUIREMENTS	
PRESSURE (PSIG)	100
FLOW (GPM)	108

CONICAL FILTER ELEMENT	
PERFORATED SCREEN	TBD
MESH SCREEN	TBD
SCREEN HEIGHT (IN)	40.10

NOTES	
CLEARANCE ABOVE STRAINER EQUAL TO SCREEN HEIGHT REQUIRED FOR SERVICE	



PRODUCT SPECIFICATION



800 Orange Avenue, Daytona Beach, FL 32114

Dimensions are for reference only.

CUST. REF.	
PREV. MOD.	
ENG. REF.	ML21994-F-R
DWG. DATE	3/30/21

SERIES:	THOMPSON	MODEL:	STRAINER
CONFIGURATION:		MLS-12BR-FSR3-304E	