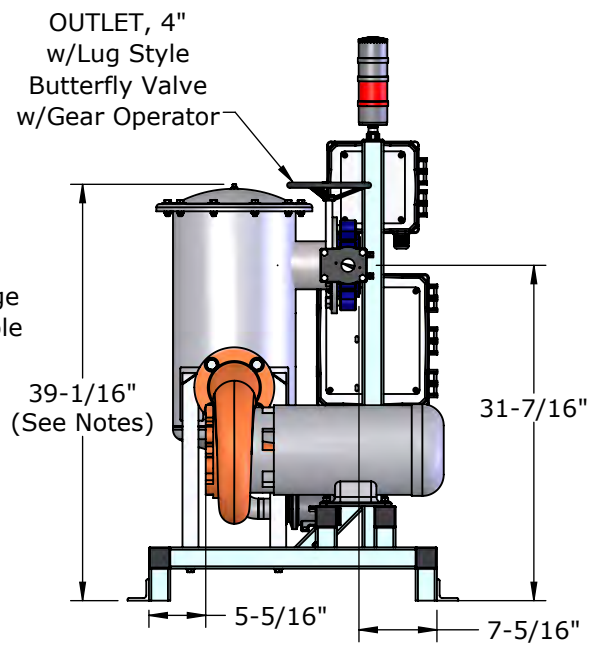
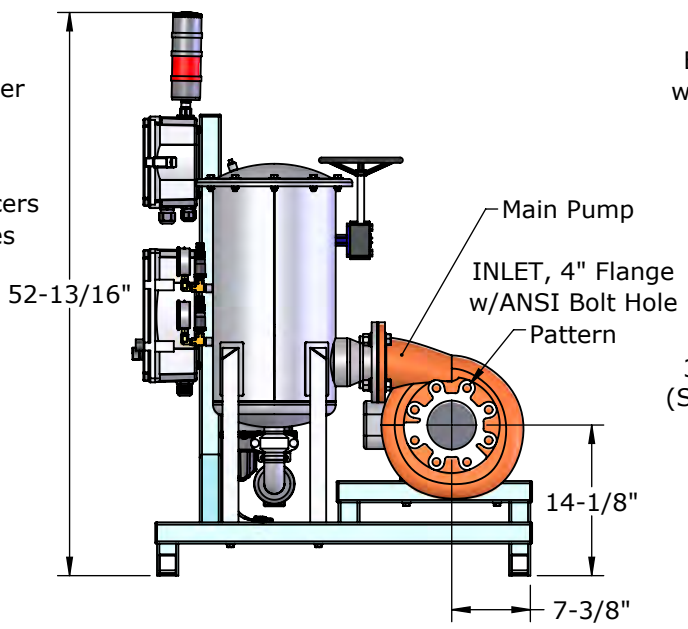
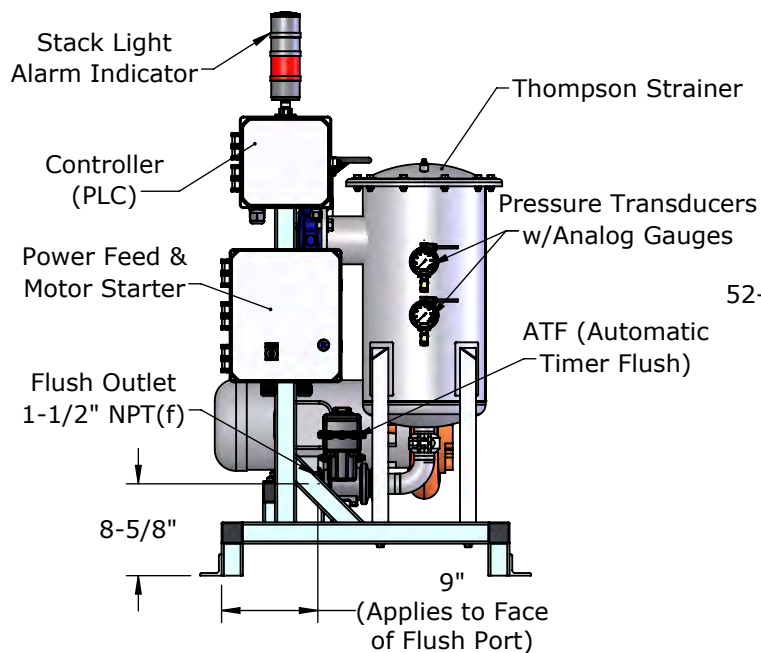


GENERAL SPECIFICATIONS	
DESIGN FLOW RANGE (GPM)	225~425
PUMP DISCHARGE RANGE (PSI)	28~24
MAX SYSTEM PRESSURE (PSI)	150
MAX SUPPLY PRESSURE	121
FILTRATION AREA (SQ IN)	367
MAX TEMP (°F)	135
VOLUME (US GAL)	11
DRY WEIGHT (LBS)	438
MAIN PUMP	7.5 HP
ELECTRICAL: 460VAC/3Ph/60Hz/11A	

MATERIALS	
HOUSING / SCREEN FRAME	304SS
SCREEN	316SS
GASKETS	EPDM
ELBOW & RISER PIPE	304SS
SKID / FRAME	304SS
PUMP CASING	C.I.
CONICAL FILTER ELEMENT	
PERFORATED SCREEN	1/4"
MESH SCREEN	TBD
SCREEN HEIGHT (IN)	15.91
NOTES	
CLEARANCE ABOVE STRAINER EQUAL TO SCREEN HEIGHT REQUIRED FOR SERVICE	



PRODUCT SPECIFICATION

MILLER LEAMAN
800 Orange Avenue, Daytona Beach, FL 32114

Dimensions are for reference only.	
CUST. REF.	
PREV. MOD.	
ENG. REF.	ML22532-01
DWG. DATE	3/23/21
	SHEET 1 of 1

SERIES: THOMPSON	MODEL: PUMP SKID
CONFIGURATION: MLS-4B Skid System	

Pump Performance Datasheet

Customer	: MLS-4 Pump Skid	Quote number	:
Customer reference	:	Size	: B3ZPM
Item number	: Default	Stages	: 1
Service	:	Based on curve number	: 5021-CCMD
Quantity	: 1	Basic model number	: B3ZM
		Date last saved	: 23 Mar 2021 2:30 PM

Operating Conditions		Liquid	
Flow, rated	: 425.0 (225.0) USgpm	Liquid type	: --Water
Differential head / pressure, rated (requested)	: 55.10 (63.97) ft	Additional liquid description	:
Differential head / pressure, rated (actual)	: 55.38 ft	Solids diameter, max	: 0.00 in
Suction pressure, rated / max	: 0.00 / 0.00 psi.g	Solids concentration, by volume	: 0.00 %
NPSH available, rated	: Ample	Temperature, max	: 68.00 deg F
Site Supply Frequency	: 60 Hz	Fluid density, rated / max	: 1.000 / 1.000 SG
		Viscosity, rated	: 1.00 cP
		Vapor pressure, rated	: 0.00 psi.a

Performance		Material	
Speed criteria	: Synchronous	Material selected	: Not specified
Speed, rated	: 1750 rpm		
Impeller diameter, rated	: 7.88 in		
Impeller diameter, maximum	: 9.00 in		
Impeller diameter, minimum	: 6.06 in		
Efficiency	: 78.62 (69.26) %		
PEI (CL)	: 0.98		
NPSH required / margin required	: 21.93 (18.70) / 0.00 ft		
Ns (imp. eye flow) / Nss (imp. eye flow)	: 1,575 / 4,586 US Units		
MCSF	: 159.1 USgpm		
Head, maximum, rated diameter	: 64.79 ft		
Head rise to shutoff	: 10.86 (-4.36) %		
Flow, best eff. point	: 432.8 USgpm		
Flow ratio, rated / BEP	: 98.19 (51.98) %		
Diameter ratio (rated / max)	: 87.50 %		
Head ratio (rated dia / max dia)	: 69.30 %		
Cq/Ch/Ce/Cn [ANSI/HI 9.6.7-2010]	: 1.00 / 1.00 / 1.00 / 1.00		
Selection status	: Acceptable		

