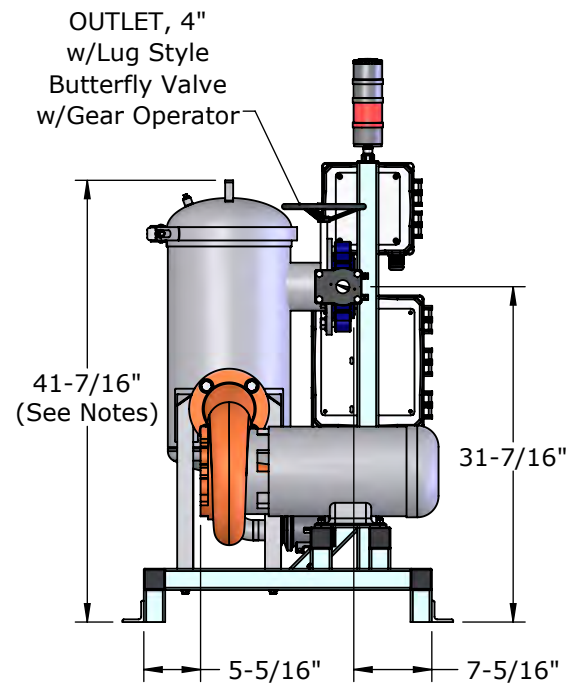
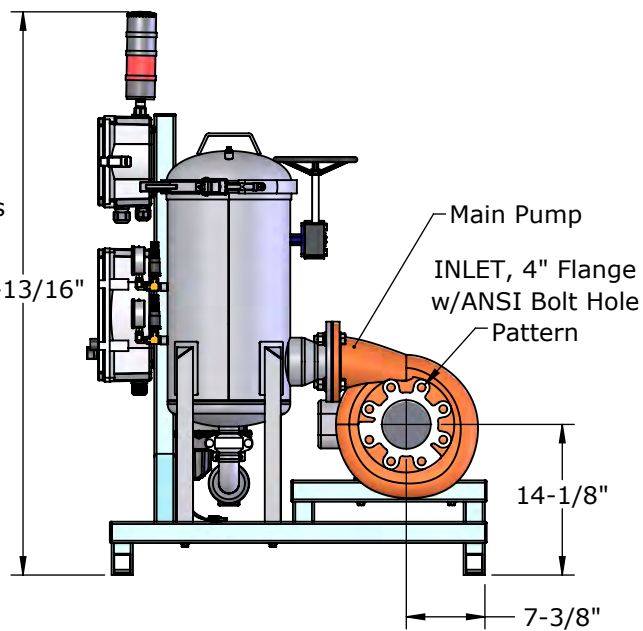
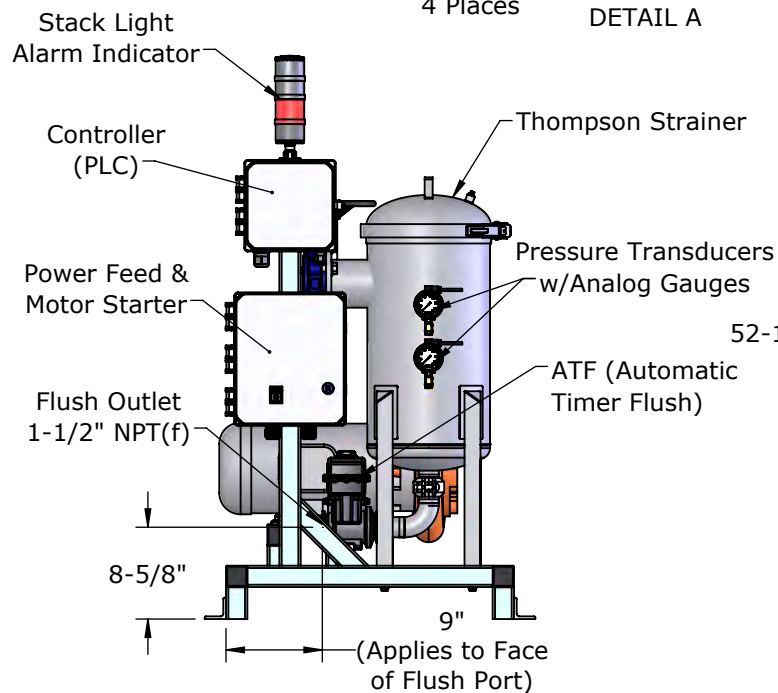


GENERAL SPECIFICATIONS	
DESIGN FLOW RANGE (GPM)	225~425
PUMP DISCHARGE RANGE (PSI)	28~24
MAX SYSTEM PRESSURE (PSI)	125
MAX SUPPLY PRESSURE	95
FILTRATION AREA (SQ IN)	367
MAX TEMP (°F)	135
VOLUME (US GAL)	11
DRY WEIGHT (LBS)	436
MAIN PUMP	7.5 HP
ELECTRICAL: 460VAC/3Ph/60Hz/11A	

MATERIALS	
HOUSING / SCREEN FRAME	304SS
SCREEN	316SS
GASKETS	EPDM
ELBOW & RISER PIPE	304SS
SKID / FRAME	304SS
PUMP CASING	C.I.
CONICAL FILTER ELEMENT	
PERFORATED SCREEN	1/4"
MESH SCREEN	TBD
SCREEN HEIGHT (IN)	15.91

**NOTES**  
CLEARANCE ABOVE STRAINER EQUAL TO SCREEN HEIGHT REQUIRED FOR SERVICE



**PRODUCT SPECIFICATION**

**MILLER LEAMAN**  
800 Orange Avenue, Daytona Beach, FL 32114

Dimensions are for reference only.	
CUST. REF.	
PREV. MOD.	
ENG. REF.	ML22530-01
DWG. DATE	3/23/21
	SHEET 1 of 1

SERIES: THOMPSON	MODEL: PUMP SKID
CONFIGURATION: MLS-4C Skid System	

### Pump Performance Datasheet

Customer	: MLS-4 Pump Skid	Quote number	:
Customer reference	:	Size	: B3ZPM
Item number	: Default	Stages	: 1
Service	:	Based on curve number	: 5021-CCMD
Quantity	: 1	Basic model number	: B3ZM
		Date last saved	: 23 Mar 2021 2:30 PM

Operating Conditions		Liquid	
Flow, rated	: 425.0 (225.0) USgpm	Liquid type	: --Water
Differential head / pressure, rated (requested)	: 55.10 (63.97) ft	Additional liquid description	:
Differential head / pressure, rated (actual)	: 55.38 ft	Solids diameter, max	: 0.00 in
Suction pressure, rated / max	: 0.00 / 0.00 psi.g	Solids concentration, by volume	: 0.00 %
NPSH available, rated	: Ample	Temperature, max	: 68.00 deg F
Site Supply Frequency	: 60 Hz	Fluid density, rated / max	: 1.000 / 1.000 SG
		Viscosity, rated	: 1.00 cP
		Vapor pressure, rated	: 0.00 psi.a

Performance		Material	
Speed criteria	: Synchronous	Material selected	: Not specified
Speed, rated	: 1750 rpm		
Impeller diameter, rated	: 7.88 in		
Impeller diameter, maximum	: 9.00 in		
Impeller diameter, minimum	: 6.06 in		
Efficiency	: 78.62 (69.26) %		
PEI (CL)	: 0.98		
NPSH required / margin required	: 21.93 (18.70) / 0.00 ft		
Ns (imp. eye flow) / Nss (imp. eye flow)	: 1,575 / 4,586 US Units		
MCSF	: 159.1 USgpm		
Head, maximum, rated diameter	: 64.79 ft		
Head rise to shutoff	: 10.86 (-4.36) %		
Flow, best eff. point	: 432.8 USgpm		
Flow ratio, rated / BEP	: 98.19 (51.98) %		
Diameter ratio (rated / max)	: 87.50 %		
Head ratio (rated dia / max dia)	: 69.30 %		
Cq/Ch/Ce/Cn [ANSI/HI 9.6.7-2010]	: 1.00 / 1.00 / 1.00 / 1.00		
Selection status	: Acceptable		

