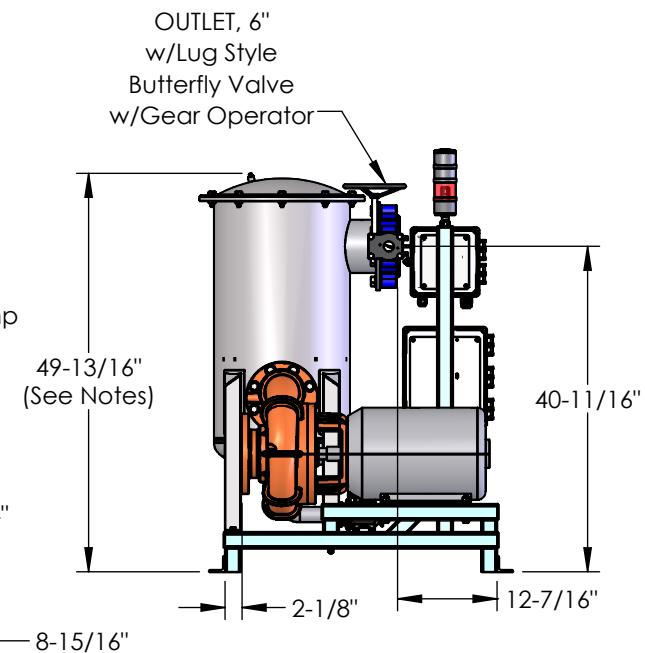
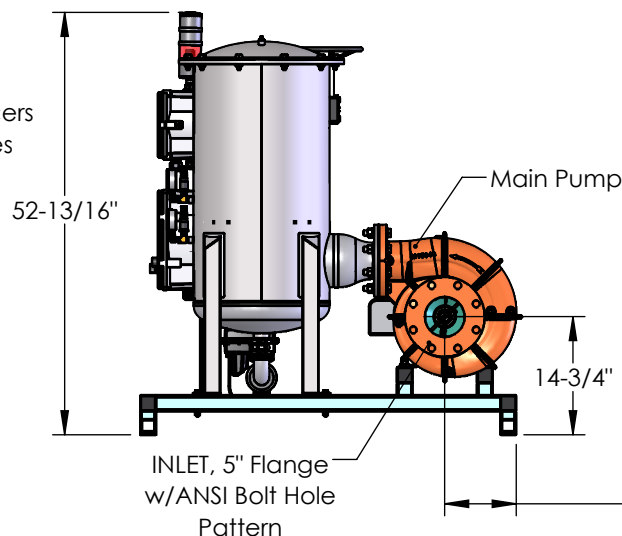
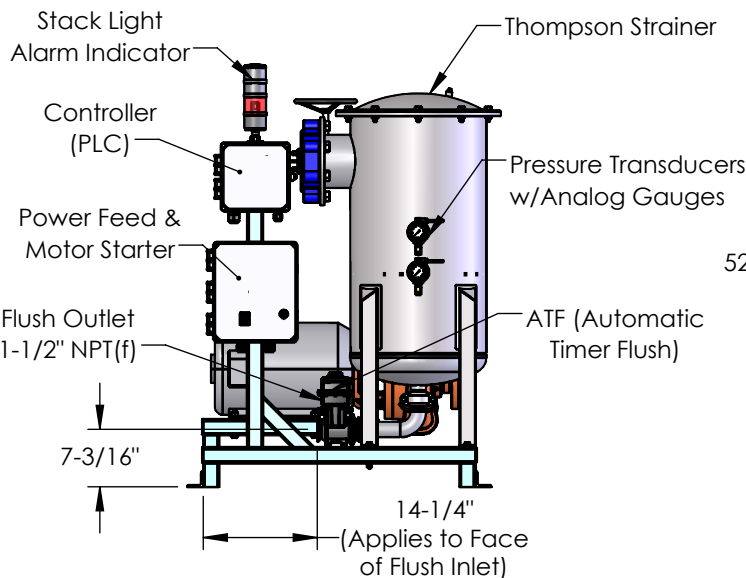


GENERAL SPECIFICATIONS	
DESIGN FLOW RANGE (GPM)	475~850
PUMP DISCHARGE RANGE (PSI)	34~26
MAX SYSTEM PRESSURE (PSI)	150
MAX SUPPLY PRESSURE	119
FILTRATION AREA (SQ IN)	745
MAX TEMP (°F)	135
VOLUME (US GAL)	34
DRY WEIGHT (LBS)	705
MAIN PUMP	15 HP
ELECTRICAL: 460VAC/3Ph/60Hz/22A	

MATERIALS		
HOUSING / SCREEN FRAME		304SS
SCREEN		316SS
GASKETS		EPDM
ELBOW & RISER PIPE		304SS
SKID / FRAME		304SS
PUMP CASING		C.I.
CONICAL FILTER ELEMENT		
PERFORATED SCREEN		1/4"
MESH SCREEN		TBD
SCREEN HEIGHT (IN)		22.32

**NOTES**  
CLEARANCE ABOVE STRAINER EQUAL TO SCREEN HEIGHT REQUIRED FOR SERVICE



**PRODUCT SPECIFICATION**

**MILLER LEAMAN**  
800 Orange Avenue, Daytona Beach, FL 32114

Dimensions are for reference only.	
CUST. REF.	
PREV. MOD.	
ENG. REF.	ML22308
DWG. DATE	6/21/21
	SHEET 1 of 1

SERIES: THOMPSON	MODEL: PUMP SKID
CONFIGURATION: MLS-6 Skid System	

### Pump Performance Datasheet

Customer :	Quote number :
Customer reference :	Size : B4ZPBH
Item number : Default	Stages : 1
Service :	Based on curve number : 4x5x9.5BH-CCMD
Quantity : 1	Basic model number : B4ZBH
	Date last saved : 28 Jun 2021 10:03 AM

Operating Conditions		Liquid	
Flow, rated	: 850.0 (475.0) USgpm	Liquid type	: --Water
Differential head / pressure, rated (requested)	: 59.97 (79.14) ft	Additional liquid description	:
Differential head / pressure, rated (actual)	: 60.48 ft	Solids diameter, max	: 0.00 in
Suction pressure, rated / max	: 0.00 / 0.00 psi.g	Solids concentration, by volume	: 0.00 %
NPSH available, rated	: Ample	Temperature, max	: 68.00 deg F
Site Supply Frequency	: 60 Hz	Fluid density, rated / max	: 1.000 / 1.000 SG
		Viscosity, rated	: 1.00 cP
		Vapor pressure, rated	: 0.00 psi.a

Performance		Material	
Speed criteria	: Synchronous	Material selected	: Not specified
Speed, rated	: 1750 rpm		
Impeller diameter, rated	: 9.19 in		
Impeller diameter, maximum	: 9.50 in		
Impeller diameter, minimum	: 7.50 in		
Efficiency	: 80.78 (75.09) %		
PEI (CL)	: 0.96		
NPSH required / margin required	: 13.81 (17.12) / 0.00 ft		
Ns (imp. eye flow) / Nss (imp. eye flow)	: 1,993 / 7,196 US Units		
MCSF	: 296.2 USgpm		
Head, maximum, rated diameter	: 86.91 ft		
Head rise to shutoff	: 44.86 (9.82) %		
Flow, best eff. point	: 739.7 USgpm		
Flow ratio, rated / BEP	: 114.91 (64.22) %		
Diameter ratio (rated / max)	: 96.71 %		
Head ratio (rated dia / max dia)	: 88.27 %		
Cq/Ch/Ce/Cn [ANSI/HI 9.6.7-2010]	: 1.00 / 1.00 / 1.00 / 1.00		
Selection status	: Acceptable		

