

GENERAL SPECIFICATIONS:

- Maximum Flow: 200 GPM (No minimum flow requirement) **EACH UNIT**
- Maximum Pressure: 125 PSI
- Maximum Temperature: 135° F
- Screen Surface Area 200 Sq. In. **EACH UNIT**

MATERIALS:

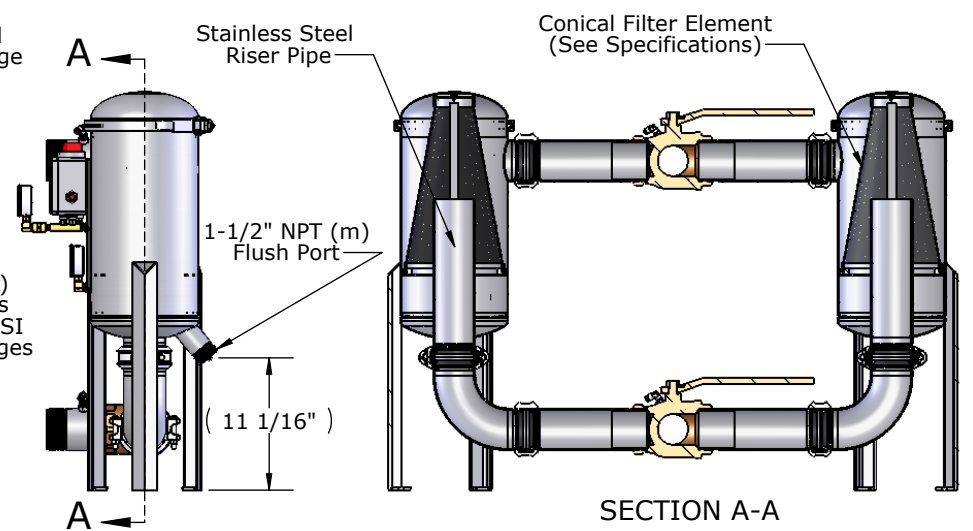
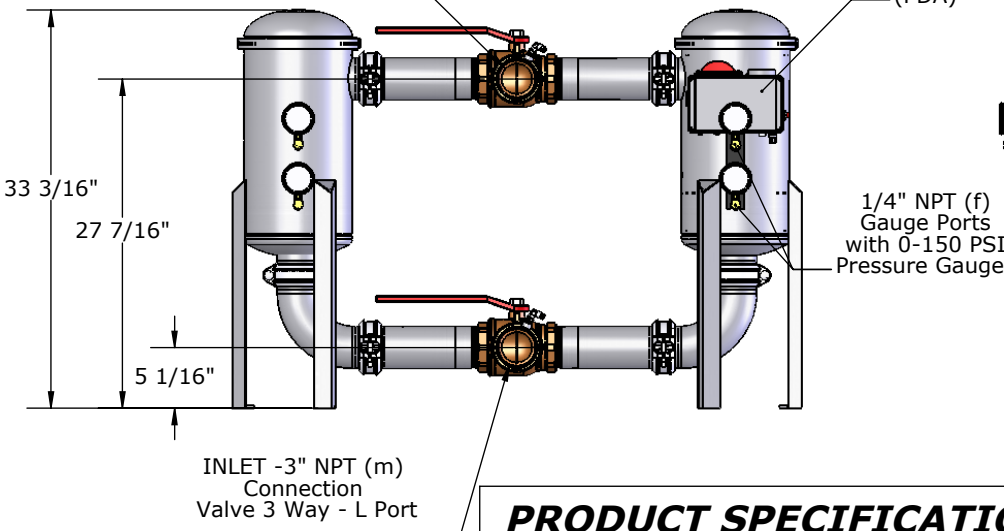
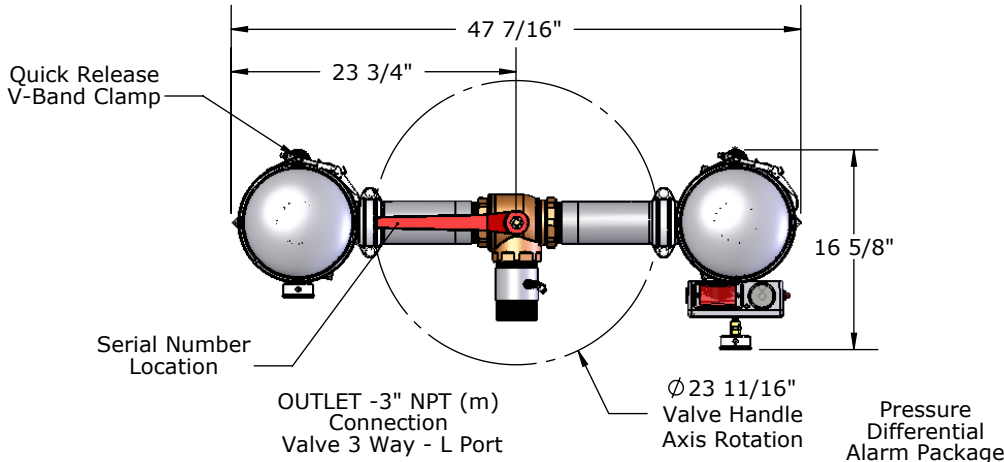
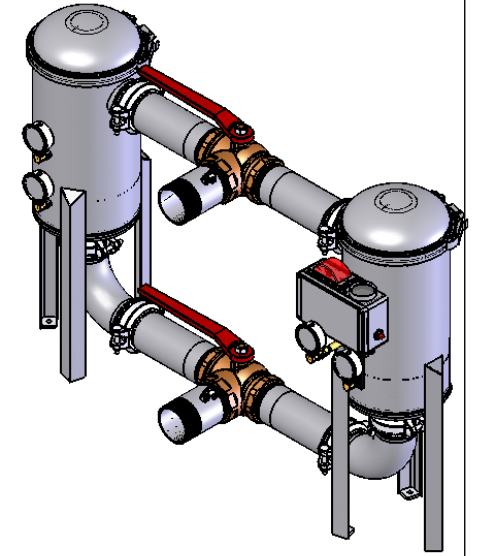
- Housing: 304 Stainless standard (316 Stainless optional)
- Gasket: EPDM standard (other compounds available)
- Screen Mesh: 316 Stainless (1/4" perforated sheet backup)

SCREEN OPTIONS:

- Multiple screen mesh and perforated sheet sizes available. (See product catalog for samples)

NOTES:

- 1- Flush Port is available in larger sizes.
- 2- Dimensions are for informational purposes only and are subject to change.
- 3- Overall clearance height of 46" for filter element removal.



PRODUCT SPECIFICATION MILLER-LEAMAN INC. 800 Orange Ave. Daytona Beach FL 32114	DRAWN	L.Brannan	5/20/09	TITLE
	CHECKED			Thompson Filter MLS-3-Duplex-MOD1
	ENG APPR.			
	MKT APPR.			
	SHEET 1 OF 1			