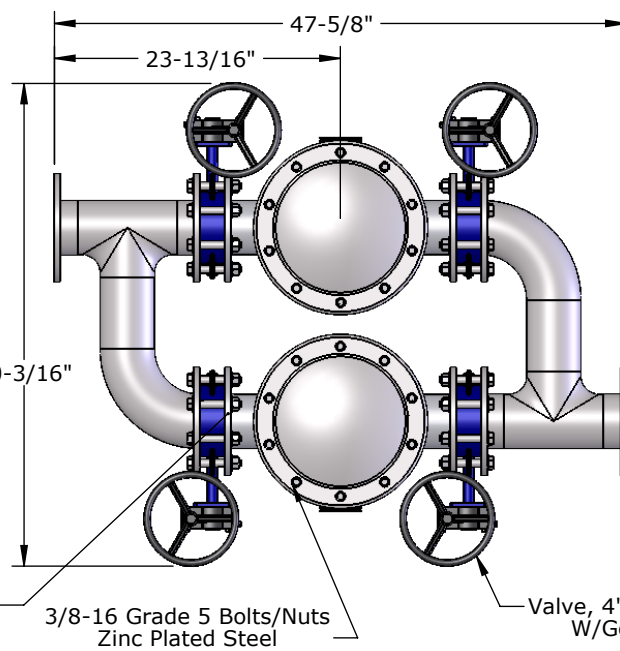


Serial Number Location (Each Strainer)



3/8-16 Grade 5 Bolts/Nuts Zinc Plated Steel

Valve, 4" Butterfly-Wafer W/Gear Operator 4 Places (Isolation Valves)

**GENERAL SPECIFICATIONS:**

- Maximum Flow: 350 GPM (No minimum flow requirement).
- Maximum Pressure: 150 PSI (Higher pressure models available).
- Not Designed for Suction / Vacuum.
- Screen Surface Area 367 Sq. In. Ea Strainer
- Dry Weight: 60 lbs. Ea Strainer Only (345 lbs System Total)
- Wet Weight: 160 lbs / Volume: 11.1 gal. - Ea Strainer Only
- Maximum Temperature: **135° F.**  
(Consult Factory for higher temperature applications).

**MATERIALS:**

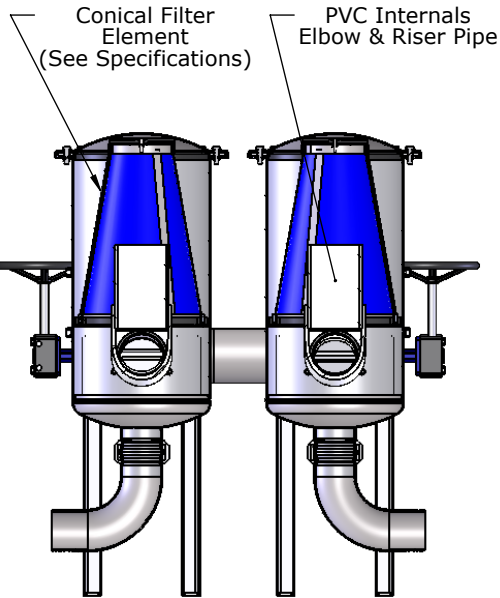
- Housing: 304 Stainless standard (316 Stainless optional).
- Gasket: EPDM standard (other compounds available).
- Screen Mesh: 316 Stainless (1/4" perforated sheet backup).

**SCREEN OPTIONS:**

- Multiple screen mesh and perforated sheet sizes available.  
(See product catalog for samples).

**NOTES:**

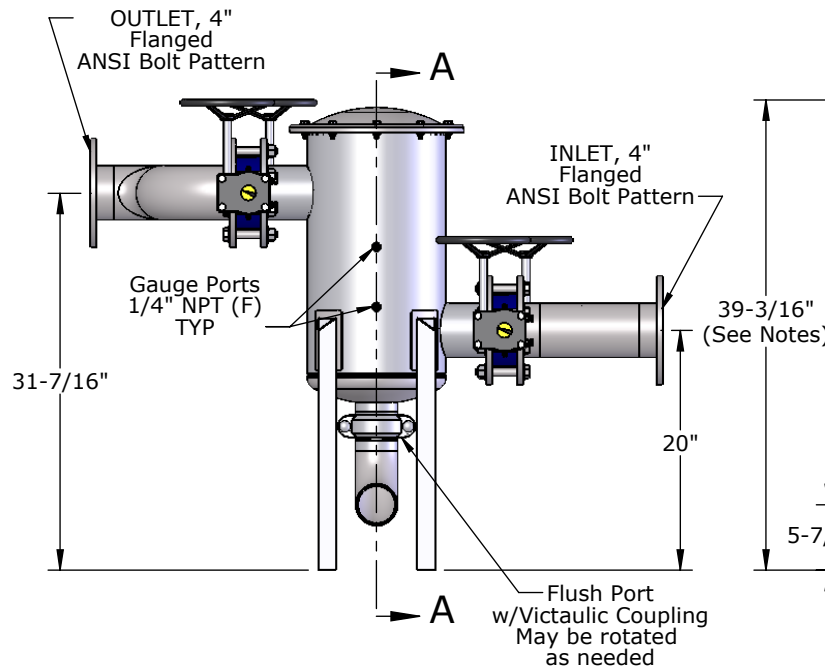
- 1- Flush Port is available in larger sizes. (Bottom Flush also available).
- 2- Dimensions are for informational purposes only and are subject to change.
- 3- Stainless Steel Internals (Elbow & Riser Pipe) are also available.
- 4- 54" Overall height is required for filter element removal.



Conical Filter Element (See Specifications)

PVC Internals Elbow & Riser Pipe

SECTION A-A



OUTLET, 4" Flanged ANSI Bolt Pattern

A

INLET, 4" Flanged ANSI Bolt Pattern

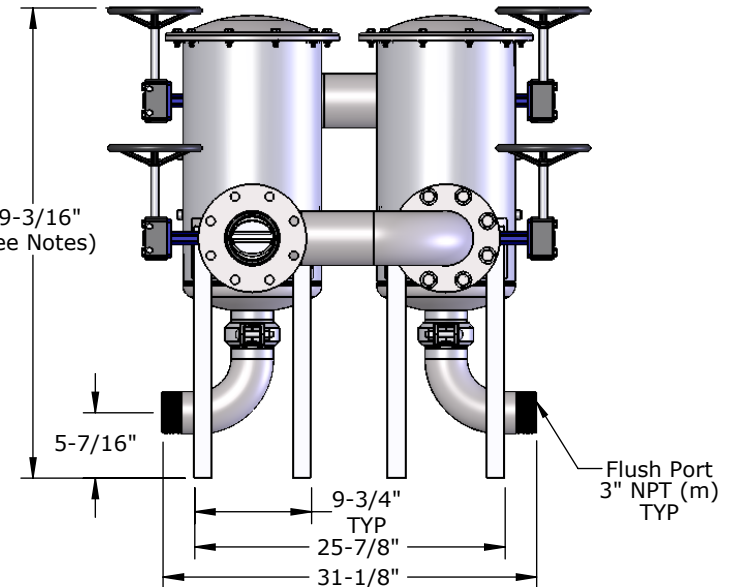
Gauge Ports 1/4" NPT (F) TYP

31-7/16"

20"

Flush Port w/Victaulic Coupling May be rotated as needed

39-3/16" (See Notes)



39-3/16" (See Notes)

5-7/16"

9-3/4" TYP

25-7/8"

31-1/8"

Flush Port 3" NPT (m) TYP

<p><b>PRODUCT SPECIFICATION</b></p> <p><b>MILLER LEAMAN</b> INC</p> <p>800 Orange Ave. Daytona Beach FL 32114</p>	DRAWN	L.Brannan	8/20/12	<p>TITLE:</p> <p><b>Thompson Strainer</b></p> <p><b>MLS-4B-Duplex</b></p> <p>TSM4B(2)x4-T304</p>
	CHECKED			
	ENG APPR.			
	MKT APPR.			
	MLI File #	ML21641	SHEET 1 OF 1	